

TIGER DG700 SURFACE DRILLS

TECHNICAL SPECIFICATION



Tiger DG700 is a hydraulic, self-propelled, self-contained, crawler based surface drilling rig equipped with a cabin (F.O.P.S. and R.O.P.S.) and rod handling system.

Typical applications for DG700 are road cutting, pipeline drilling and foundation drilling, as well as production drilling in medium size quarries. Therefore DG700 is most often used by construction contractors, mines and quarries, and also included in the equipment fleet of rental houses as well.

Hole Diameter:	64 - 115 mm (2 1/2" - 4 1/2")
Rock Tools:	38, 45 or 51 mm (1 1/2", 1 3/4" and 2") rods
Rock Drill:	19,5 kW
Engine Output:	179kW
Flushing Air:	8,1 m ³ /min, up to 10 bar
Production Capacity:	1,0 Mt/year
Total Weight	14 700 kg

STANDARD COMPONENTS

Rock drill	HL 710
Feed	CF 145H
Rod handler	RH 714 incl. 1 set of jaws
Boom	Fixed
Carrier	Track mounted
Powerpack	Diesel driven, hydraulic pumps and on-board compressor
Hydraulic system	Load sensing and open center
Control system	THC 700
Movable drill steel support	
Cabin	F.O.P.S. and R.O.P.S. with AC
Dust collector	DC 800 H, hydraulic, Primary separator
Working lights	8 pcs.
Gauge set	For accumulator pressure checking
Reversing alarm	
Manuals	1 x paper copy 1 x CD-ROM (ToolMan)

SELECTION OF OPTIONS

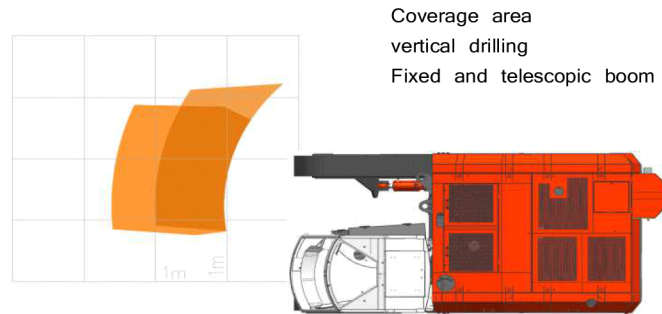
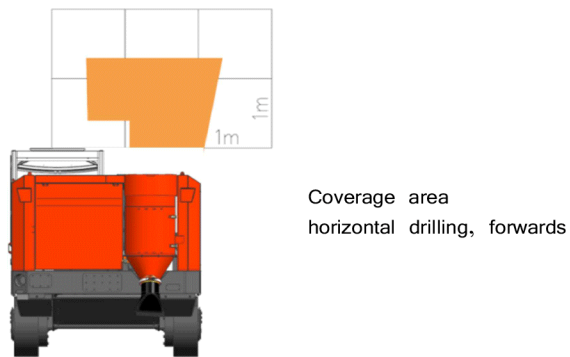
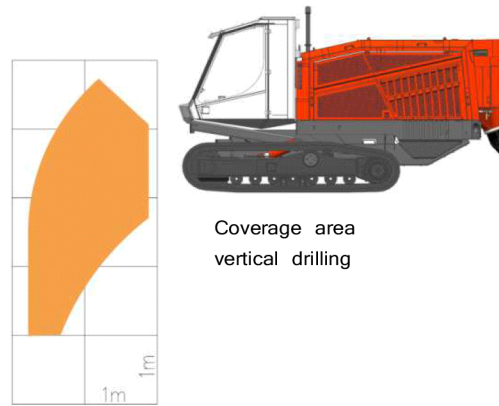
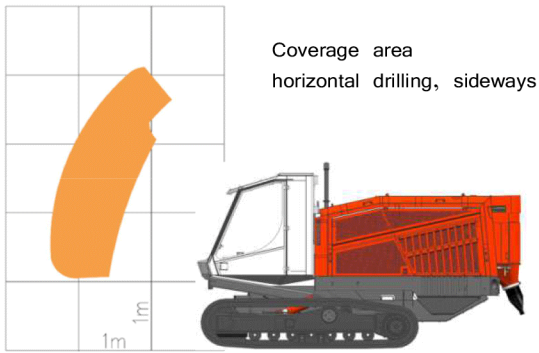
1.	Radio and CD-MP3 player
2.	Reversing camera
3.	Spirit level angle indicator
4.	TIM 5200 for vertical holes
5.	TIM 5300 for vertical holes and depth measuring
6.	Hose reel (not with 14' rods)
7.	Thread greasing
8.	Telescopic boom (Extension: 600 mm)
9.	Anti- freeze system for air lines
10.	Flushing control automatics
11.	Shut down of suction for water holes
12.	Water injection system
13.	Guides for grousers
14.	Towing hook
15.	Hydraulic rear ground support
16.	Front support for horizontal drilling
17.	Fuel powered heater for engine and cabin
18.	Kit for alternative steels, each
19.	First service kit for DG700

THE JAWS FOR DRILL STEELS

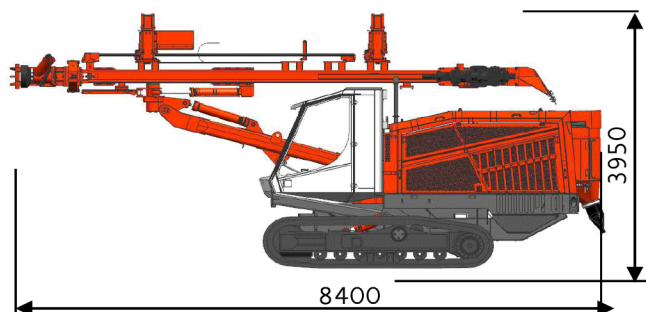
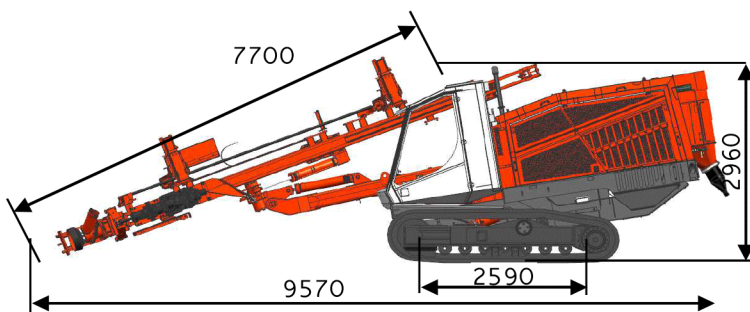
Drill steel type	Drill steel diameter	Recommended hole diameter
Extension rods	38 mm 1 ½"	64 - 70 mm 2 ½" - 2 ¾"
MF-rod	38 mm 1 ½"	64 - 70 mm 2 ½" - 2 ¾"
Extension rods	45 mm 1 ¾"	76 - 89 mm 3" - 3 ½"
MF-rod	45 mm 1 ¾"	76 - 89 mm 3" - 3 ½"
Extension rods	51 mm 2"	89 - 115 mm 3 ½" - 4 ½"
MF-rod	51 mm 2"	89 - 115 mm 3 ½" - 4 ½"

20.	Special tools for HL 710, field kit
21.	Special tools for HL 710, complete
22.	Extra manuals
23.	Security+ Silver, Gold or Platinum

See more detailed option descriptions in Sales Tools



TRANSPORT AND TRAMMING DIMENSIONS



Weight (without options)	14 700 kg
Width	2.45 m
Height	3.95 m / 2.96 m
Total length	8.40 m / 9.57 m