

DP1100 SURFACE DRILLS

TECHNICAL SPECIFICATION



Sandvik DP1100 is a hydraulic, self-propelled, self-contained, crawler based surface drilling rig equipped with a cabin (F.O.P.S. and R.O.P.S.) and a rod changer.

DP1100 is designed for efficient production drilling in medium large to large quarries or open pit mines and construction work sites. It suits well also for wall control and development works. To customize the rig it can be equipped with a variety of options to meet special requirements.

Hole Diameter:	89 - 140 mm (3½" - 5½")
Rock Tools:	51 and 60 mm (2" and 2 ³ / ₈ ") or 102-140 mm (4" and 5 ¹ / ₂ ") rods
Rock Drill:	25 kW
Engine Output:	224 kW
Flushing Air:	14 m ³ /min, up to 10 bar
Production Capacity:	1,5 Mt/year
Total Weight	18 800 kg

STANDARD COMPONENTS

Rock drill	HL 1010, hydraulic
Feed	LF 1514
Rod changer	RC 1514
Boom	ZB 1550 H, telescopic
Carrier	FL 6, oscillating
Powerpack	Diesel driven, hydraulic pumps and on board compressor
Hydraulic system	Load sensing and open center
Control system	THC Pro with Rock Pilot
Operator's cabin	Ergo Pro
Dust collector	DC 1520 H, hydraulic
Working lights	8 pcs
Gauge set	For accumulator pressure checking
Reversing alarm	
Manuals	Service and spare parts manuals: 1 x paper copy 1 x CD-ROM (ToolMan)

SELECTION OF OPTIONS

1.	Heating and air conditioning
2.	Rod greasing
3.	P&Q electric angle indicator
4.	Electric angle indicator TIM 2302
5.	Measuring system TIM 2303
6.	Laser based measuring system TIM 2305
7.	Power extractor
8.	Electric filling pump for refuelling
9.	Remote control box & hydraulic winch (7 tons)
10.	Rollers for rod changer RC 1514
11.	Hose reel
12.	Three-bar grouser plates
13.	Guides for grousers
14.	Flushing control automatics
15.	Shut-down of suction for water holes
16.	Water injection system
17.	Water injection system w/o tank
18.	Hydraulic ground support HM 75
19.	Fuel heater for cabin, hydraulic oil and engine

THE JAWS FOR DRILL STEELS

Drill steel type	Drill steel diameter	Recommended hole diameter
Extension rods / MF rods	51 mm 2"	89 - 127 mm 3 1/2" - 5"
MF-rods	60 mm 2 3/8"	102 - 140 mm 4" - 5 1/2"
Pilot tube	76 mm 3"	89 - 127 mm 3 1/2" - 5"
Pilot tube	87 mm 3 1/2"	102 - 140 mm 4" - 5 1/2"

ADJUSTMENT INFORMATION FOR DELIVERY

Extension rod lengths

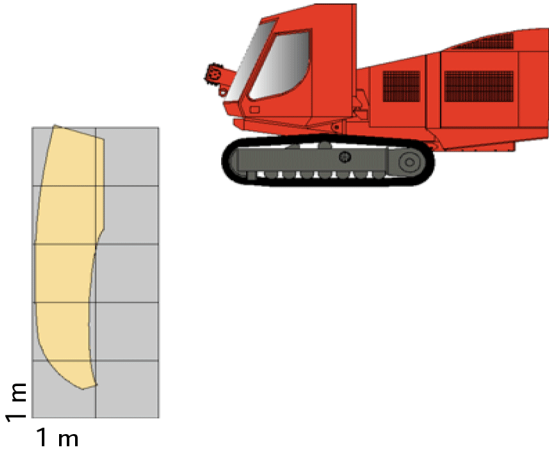
3 660 mm	12'
4 270 mm	14'

Rotation motor

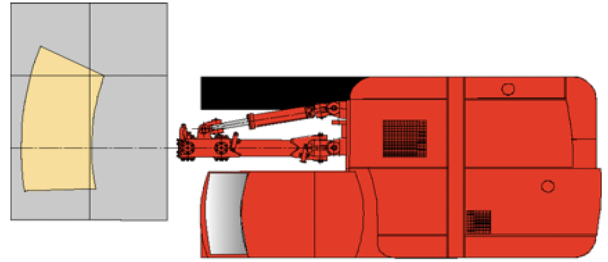
Rotation motor OMT 400 for 76 - 127 mm, 3" - 5" holes
Rotation motor OMT 500 for 127 - 152 mm, 5" - 6" holes

20.	Kit for alternative steels
21.	Tube drilling kit
22.	Movable drill steel support
23.	Horizontal drilling kit (includes hose reel)
24.	Towing hook
25.	Readiness for Power extractor
26.	Extra manuals
27.	First service kit for DP1100
28.	Special tools for HL 1010, field kit
29.	Special tools for HL 1010, complete
30.	Central lubrication system
31.	Fast fill connection for fuel and water tanks
32.	Fast fill connection for engine coolant, hydraulic oil, engine oil
33.	Sanrock Mini H hydraulic bit grinder
34.	Radio and CD player
35.	Biodegradable hydraulic oil, Shell naturelle HFE 46 or HFE 68 (synthetic ester)
36.	Antifreeze for air lines
37.	Dustmizer system

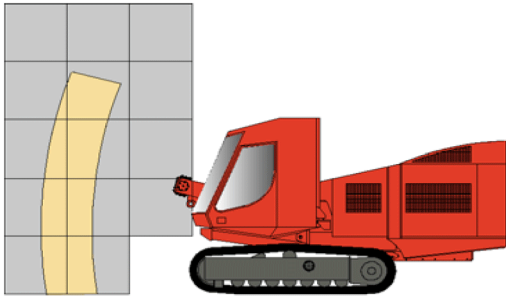
Vertical drilling



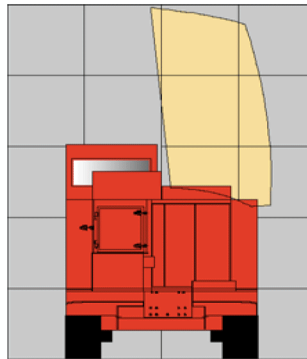
Vertical drilling



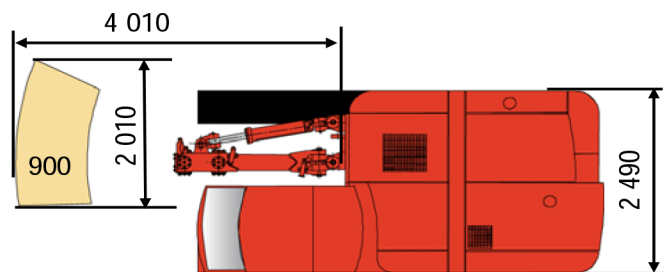
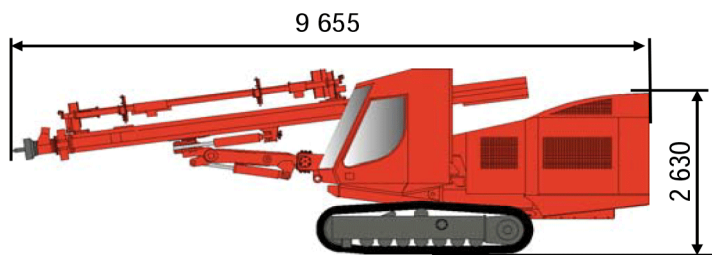
Horizontal drilling, sideways



Horizontal drilling, forwards



TRAMMING AND TRANSPORT DIMENSIS



Weight	18 800 kg
Width	2.52 m
Height	3.2 m
Total length	10.5 m