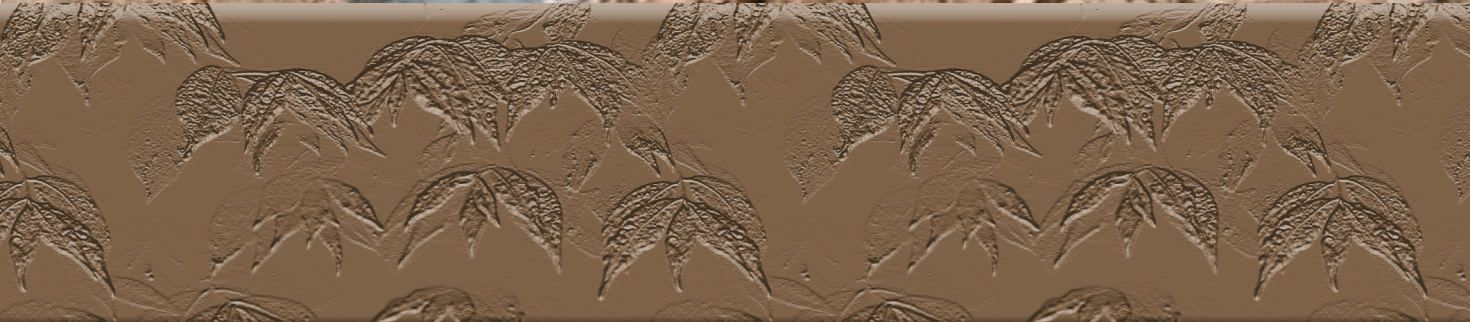
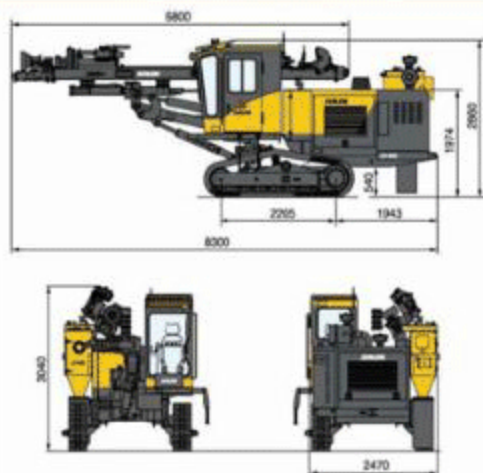


JUNJIN JD800 DRILL JUMBO

TECHNICAL SPECIFICATION



JUNJINCSM JD-800



DRIFTER YH70



YH70 (Yamamoto, Japan)

- Since 1915

Durable Quality and proven performance with advanced technology by 95 years history

- Main Specification

- Weight: 190kg

- Drifter power: 15kw

- Tool Thread: T38(T45 : Option)

JD-800(YH70)

General Specification

Gross Weight	kg	10550
Overall Length	mm	8300
Overall Width	mm	2470
Overall Height	mm	2960

Performance

Hole Range	mm	64 - 102
Drilling Depth	mm	15
Gradeability	°	30
Travelling Speed	km/hr	0 - 3.8

Diesel Engine(Cummins)

Model	-	B5.9-C
Rated Output	hp/rpm(kw)	156/2200(116) - Tier I

Air Compressor(GHH Rand)

Model	-	CF75G
Working Pressure	kg/cm ²	10.5
Free Air Delivery	m ³ /min	5.7
Tank Capacity	m ³	0.051

Drifter

Model	-	YH70
Weight	kg	190
Length	mm	1007
Number of Blows	bpm	3000
Torque	kg-m	59
Rotation	rpm	200
Impact Pressure	kg/cm ²	140
Rotation Pressure	kg/cm ²	140

Dust Collector

Air Pressure	mmAq	550
Suction Capacity	m ³ /min	24
Number of Filters	ea	4

Bit & Rod

Rod Length	mm	3050(3660)
Bit Dia.	mm	64 - 102
Thread	-	T38(T45)
Hyd. Pump	Variable Piston Pump + Gear Pump	

Guide Shell

Overall Length	mm	6800(7200)
Slide Length	mm	1500
Feed Length	mm	3740
Swing Angle	L/R*	65/50
Tilt Angle	°	180

Boom

Overall Length	mm	2100
Lift Angle	Up/Down*	50/30
Swing Angle	L/R*	15/45

Extension Length	mm	-
------------------	----	---

Under Carriage

Length of Tumbler	mm	2205
Shoe Width	mm	340
Ground Clearance	mm	540
Oscillation Angle	°	±11

Auto Rod Changer

Number of Rods	ea	4+1
----------------	----	-----