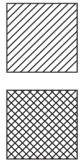
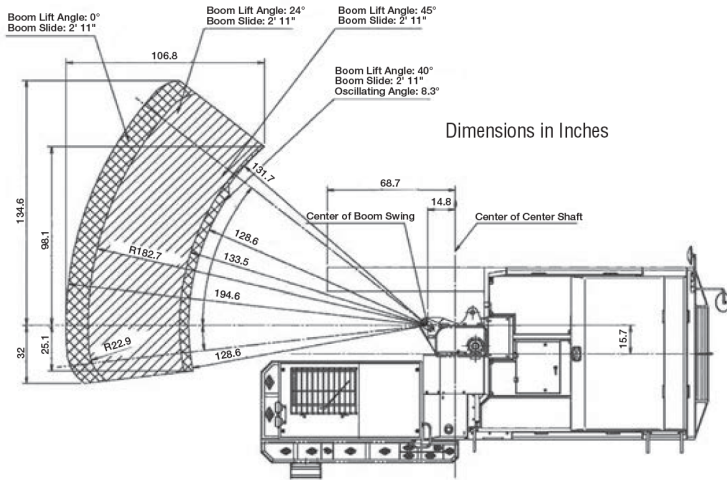


HCR 1500ED SURFACE DRILLS

TECHNICAL SPECIFICATION



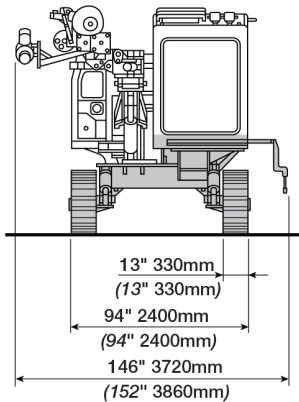
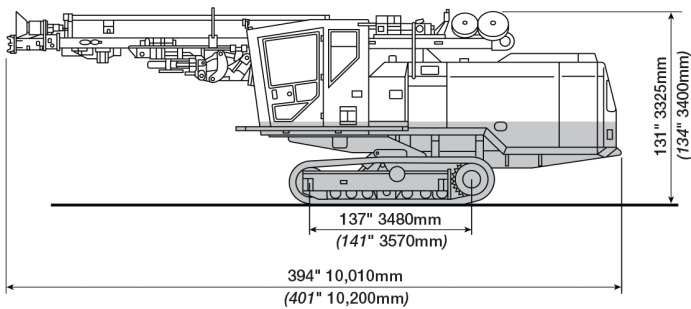
Drilling Pattern for HCR1500 ED II



Vertical Drilling on Horizontal Plane

Vertical Drilling

Note:
Standard dimensions refer to the ED Model
Dimensions in parenthesis and italic refer to the D20 Model



	ED		D20		
	US Standard	Metric	US Standard	Metric	
Performances	Overall Weight (A) *1	39,293 lb	17,820 kg	40,616 lb	18,420 kg
	Overall Weight (B) *2	40,396 lb	18,320 kg	41,719 lb	18,920 kg
	Travel Speed	0-2.6 mile/h	0-4.2 km/h	0-2.6 mile/h	0-4.2 km/h
	Maximum Traction Force	22,143 lb-force	98.5 kN	22,143 lb-force	98.5 kN
	Maximum Grade of Hill Climb	57.7%(30 deg)		57.7%(30 deg)	
	Oscillating Angle	+7.5 deg		+7.5 deg	
Drifter	Ground Contact Pressure *3	13.8 psi	95.2 kPa	13.8 psi	95.5 kPa
	Model	HD715		HD715	
	Mass	551 lb	250 kg	551 lb	250 kg
	Overall Length	3'9"	1,150 mm	3'9"	1,150 mm
	Overall Width	1'4"	410 mm	1'4"	410 mm
	Overall Height	1'	300 mm	1'	300 mm
	Number of Blows	2,150 bpm	2,150 min ⁻¹	2,150 bpm	2,150 min ⁻¹
Number of Revolutions	0-150 rpm	0-150 min ⁻¹	0-150 rpm	0-150 min ⁻¹	
Engine	Make & Model	CATERPILLAR, C9		CATERPILLAR, C9	
	Type	Water-cooled Direct Fuel Injection Turbo Charged Diesel Engine		Water-cooled Direct Fuel Injection Turbo Charged Diesel Engine	
Hydraulic Equipment	Rated Output	350hp/2,200rpm		350hp/2,200rpm	
	Variable Displacement Pump	Axial Piston Pump X2		Axial Piston Pump X2	
	Fix Displacement Pump	Gear Pump X3		Gear Pump X3	
Drive Motor	Hydraulic Motor with Reduction Gear		Hydraulic Motor with Reduction Gear		
Boom	Model	JE326-142		JF325-141	
	Type	Extension Boom		Fix	
	Boom Lifting Angle:Up/Down	45/20 degree		40/25 degree	
	Boom Swing Angle: Right/Left	38/7 degree		35/7 degree	
	Boom Slide Length	2'11"	900 mm	-	
	Guide Rotary Angle	90 degree		90 degree	
Guide Shell	Model	GH831-41		GH830-51	
	Overall Length	26'3"	8,000 mm	33'5"	10,200 mm
	Feed Length	15'5"	4,700 mm	22'2"	6,763 mm
	Feed Length (with RP)	14'10"	4,520 mm	21'7"	6,573 mm
	Guide Slide Length	4'11"	1,500 mm	4'11"	1,500 mm
	Guide Swing Angle:Right/Left	38/38 degree		25/90 degree	
	Guide Tilt Angle	170 degree		170 degree	
	Maximum Pulling Force	6,969 lb-force	31 kN	6,969 lb-force	31 kN
Feed system	Hydraulic Motor Drive		Hydraulic Motor Drive		
Compressor	Make & Model	AIR MAN, PDS290-S15B		AIR MAN, PDS290-S15B	
	Type	Screw 1 Stage		Screw 1 Stage	
	Discharge Airflow	477 CFM	13.5 m ³ /min	477 CFM	13.5 m ³ /min
	Discharge Pressure	149 psi	1.03 MPa	149 psi	1.03 MPa
Unload Type	Suction Throttle Type		Suction Throttle Type		
Dust Collector	Model	A885-41		A885-41	
	Airflow	1,413 CFM	40 m ³ /min	1,413 CFM	40 m ³ /min
	Number of Elements	6		6	
	Dust Removal System	Automatic Pulse Air Jet		Automatic Pulse Air Jet	
Suction Cap	Slide Type		Slide Type		
Rod Changer	Model	GR802-41		GR801-51	
	Number of Rods	6		4	
Rod length	12 ft	3,660 mm	20 ft	6,100 mm	
Electrical Equipment	Battery	12V; 160Ah/5Hr x 2		12V; 160Ah/5Hr x 2	
	Voltage	DC24V		DC24V	
Oil Capacity	Fuel Tank	166 gal (111+55)	630 L (420+210)	166 gal (111+55)	630 L (420+210)
	Hydraulic Tank	63 gal	240 L	63 gal	240 L
Bit and Rod	Bit Diameter	3 1/2" - 5"	90 - 127 mm	3 1/2" - 5"	90 - 127 mm
	Bit Profile	Button, Cross and Spike		Button, Cross and Spike	
	Rod Size	51R		51R	
	Rod length	12'	3,660 mm	20'	6,100 mm
	First Rod Length	12' or 13'	3,660 or 4,000 mm	20'	6,100 mm
Circumstance	Working Temperature	5° - 113° F	-15° - +45° C	5° - 113° F	-15° - +45° C