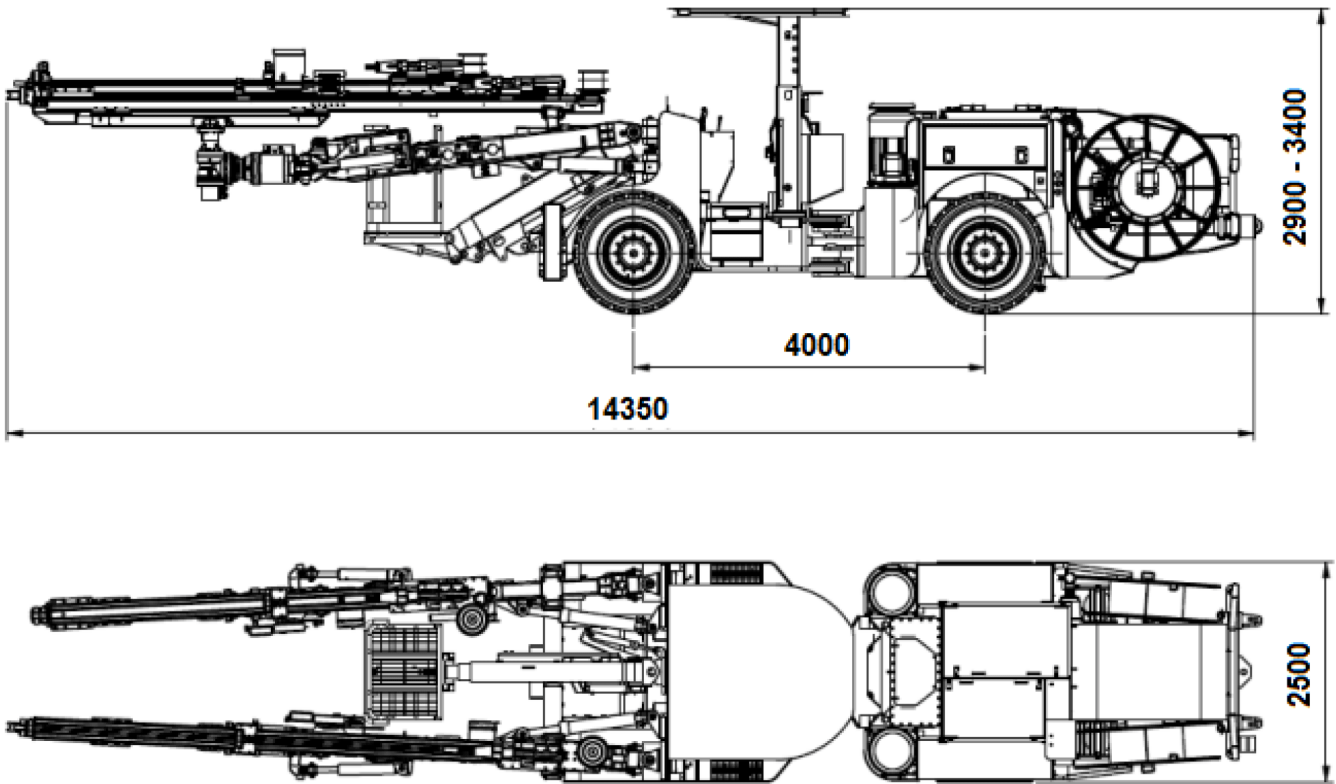


# FACE MASTER 3.0 Mk3 DRILL JUMBO

## TECHNICAL SPECIFICATION



**ATTENTION:** The drawing shows machine, where right boom is equipped with optional telescopic feeder.

## DESCRIPTION

- Diesel powered articulated chassis with permanent 4-wheel drive.
- Fail-safe, wet multi-disc service brakes with additional fail-safe emergency-parking brake.
- Latest concept heavy duty alloy profile feeder with stainless steel guide surfaces. Designed to improve performance, and reduce operation costs.
- Minimum tramming height: 2,9m. The canopy is provided with hydraulic cylinders and can be lifted up to 3,4m.
- Full hydraulic proportional boom control by joystick. Shock protection is provided.
- B-40 HD1 head rotation boom, equipped with 2-axial rotary actuator as well as with automatic parallelism in both planes, and the boom can also be used for cross-cutting.
- Hydraulic steering ensures low operation costs and high performance
- Reliable hydraulic controls – ensuring low operating costs and high performance.

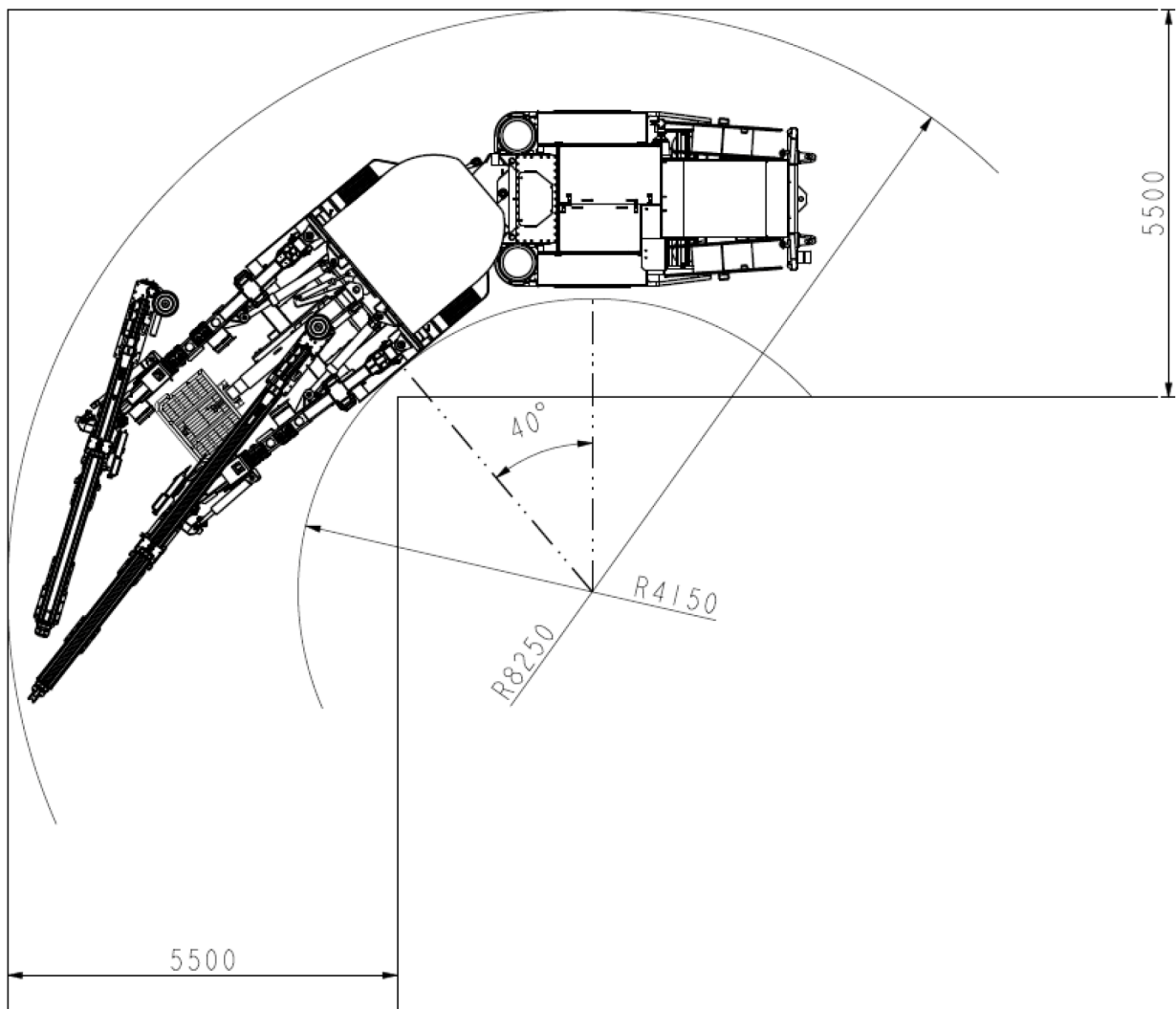
## MAIN COMPONENTS

<b>Rockdrill</b>	Montabert HC 109
<b>Boom</b>	B 40 HD1
<b>Diesel engine</b>	Deutz TCD2013L04- 113 kW @ 2300 rpm
<b>Feeder</b>	F – 8000 series
<b>Tires</b>	14.00 x 24 foam filled

## FACE MASTER 3.0 Mk3

### FEATURES

<b>WEIGHT</b>	30 000 kg
<b>DIMENSIONS</b>	
Length (with 14ft feeders)	14 350 mm
Width	2 500 mm
Min, tramming height	2 900 mm
Max. working height - canopy	3 400 mm
Turning radius	R <sub>i</sub> = 4 320 mm R <sub>o</sub> = 7 900 mm
Tramming ability	
Greadeability (longitudinal inclination)	10 degrees
Cross-grade	5 degrees



## FACE MASTER 3.0 Mk3

### FEEDER

### F-8000 series

The feed frame is of aluminum alloy fitted with easily replaced, hollow stainless steel wear rails to carry the rockdrill cradle, moving guide and hose reeler. The bottom pair of these rails provide the connection with the slide support frame. The sliding fit of the rockdrill cradle and other moving parts is adjusted by means of setscrews. Rockdrill feed is provided by an internally housed hydraulic cylinder and wire rope arrangement which provides a feed force of 15,5 KN.

<b>Type</b>	<b>F-7000 (14ft)</b>
<b>Overall length</b>	<b>5885 mm</b>
<b>Hole depth</b>	<b>4400 mm</b>
<b>Rod length</b>	<b>4305 mm</b>
<b>Weight</b>	<b>850 kg</b>

### CARRIER

<b>Diesel engine</b>	Deutz TCD2013L04 - 113 kW @ 2300 rpm, liquid cooled
<b>Tramming</b>	Four wheel drive (Power shift)
<b>Transmission</b>	R 24000 Dana Off-Highway
<b>Axles</b>	113 Dana Off-Highway
<b>Articulation</b>	Danfoss – Orbitrol controlled by steering wheel
<b>Brakes</b>	Fail-safe, wet multi-disc service brakes with additional fail-safe emergency-parking brake
<b>Tires</b>	14.00 x 24
<b>Fuel tank</b>	90 l
<b>Electrical control system</b>	24 V
<b>Battery</b>	2 x 12V
<b>Driving lights</b>	4 x 35 W, LED type
<b>Max. speed on flat surface</b>	12 km/h
<b>Automatic centralized lubrication system</b>	SKF
<b>Hand pump to release emergency/parking brakes</b>	

### HYDRAULIC SYSTEM

<b>Hydraulic pump</b>	Axial-piston with load sensing
<b>Percussion</b>	140 bar
<b>Feed</b>	80 bar
<b>Rotation</b>	100 bar
<b>Tank of oil with oil level indicator, return filter</b>	300 l
<b>Filtration</b>	10 µm
<b>Oil cooler</b>	Water cooling system
<b>Hydraulic oil</b>	HV 68

## FACE MASTER 3.0 Mk3

### WATER SYSTEM

Water booster pump	rotodynamic pump
Max. capacity	90 lpm
Min. inlet pressure	3 bar
Water hose reel	MINE MASTER - 60 m (prepared for 1 ½ " water hose)
Capacity	60 m

### AIR SYSTEM

Compressor	screw compressor
Capacity	0,95 m3/min

### ELECTRICAL SYSTEM

Motor	2 x 75 kW, start with STAR/DELTA mode
Voltage	to suit customer's requirements
Working lights	2 x 35W LED + 2 x 35W xenon type – 24V
Cable reel	MINE MASTER
Capacity	80 m

### ROCKDRILL

#### Montabert HC 109

Shank adapter	R38, T38
Weight	142 kg
Impact power	19,4 kW
Percussion oil flow	140 lpm @ 140 bar
Rotation speed	190 – 275 rpm
Rotation torque	max. 1275 Nm

### OPTIONAL EQUIPMENT

CLOSED, AIR-CONDITIONED CABIN	Height of the machine: 3,4m
FIRE SUPPRESSION SYSTEM	ANSUL LT-A-101-30, 6 nozzles, activated manually
FIRE SUPPRESSION SYSTEM WITH FLAME DETECTION	ANSUL LT-A-101-30 SC-N with Checkfire 210, 6 nozzles, activated automatically
BY – PASS FILTRATION	Additional recirculation independent hydraulic filtration system for both tramming and drilling systems
AIR-MIST SYSTEM WITH 400L TANK	Mounted instead of water hose reel; additional air-coolers and more efficient compressor added

## FACE MASTER 3.0 Mk3

<b>AIR-MIST SYSTEM WITH CONNECTION TO LOCAL WATER NETWORK</b>	System with additional air-coolers and more efficient compressor
<b>SPARE WHEEL</b>	14.00 x 24" (including rim and tire)
<b>FEEDER GUIDING SYSTEM</b>	The electronic extra system is a support for the operator to execute the drilling pattern in accordance with requirements. Data logging included.
<b>ELECTRIC CABLE</b>	

### FEEDER

### F-8000 series

The feed frame is of aluminum alloy fitted with easily replaced, hollow stainless steel wear rails to carry the rockdrill cradle, moving guide and hose reeler. The bottom pair of these rails provide the connection with the slide support frame. The sliding fit of the rockdrill cradle and other moving parts is adjusted by means of setscrews. Rockdrill feed is provided by an internally housed hydraulic cylinder and wire rope arrangement which provides a feed force of 15,5 KN.

Type	10ft	12ft	16ft	18ft
<b>Overall length</b>	4740 mm	5270 mm	6500 mm	7100 mm
<b>Hole depth</b>	2780 mm	3200 mm	4400 mm	5000 mm
<b>Rod length</b>	3050mm	3700 mm	4915 mm	5565 mm
<b>Weight</b>	790 kg	820 kg	880 kg	910 kg

Item	Model number	Rock drill type	Type of rods	Length of rods Min-Max [mm]	Max. depth of drilled hole [mm]	Overall length collapsed — extended [mm]
1	MMTF3100/1830-HC109	HC - 109	6-10 ft	1830-3100	1330 - 2600	3500 - 4755
2	MMTF3700/2440-HC109	HC - 109	8-12 ft	2440 - 3660	2240 - 3450	4100 - 5355
3	MMTF3700/2800-HC109	HC - 109	9-12 ft	2800 - 3660	2600 - 3450	4460 - 5355
4	MMTF4310/2440-HC109	HC - 109	8-14 ft	2440 - 4310	2240 - 4090	4100 - 5995
5	MMTF4310/2800-HC109	HC - 109	9-14 ft	2800 - 4310	2600 - 4090	4460 - 5795
6	MMTF3100/1830-HC50	HC - 50	6-10 ft	1830 - 3100	1330 - 2600	3175 - 4405
7	MMTF3700/2440-HC50	HC - 50	8-12 ft	2440 - 3660	2240 - 3450	3775 - 5005
8	MMTF3700/2800-HC50	HC - 50	9-12 ft	2800 - 3660	2600 - 3450	4135 - 5005
9	MMTF4310/2440-HC50	HC - 50	8-14 ft	2440 - 4310	2240 - 4090	3775 - 5645
10	MMTF4310/2800-HC50	HC - 50	9-14 ft	2800 - 4310	2600 - 4090	4135 - 5645