

# SANDVIK RDX5

## TECHNICAL SPECIFICATION

Sandvik RDX5 is a robust rock drill for heavy duty rock drilling. It is designed for face and long hole drilling, also used in rock bolting. RDX5 is designed to perform even in the harshest conditions.

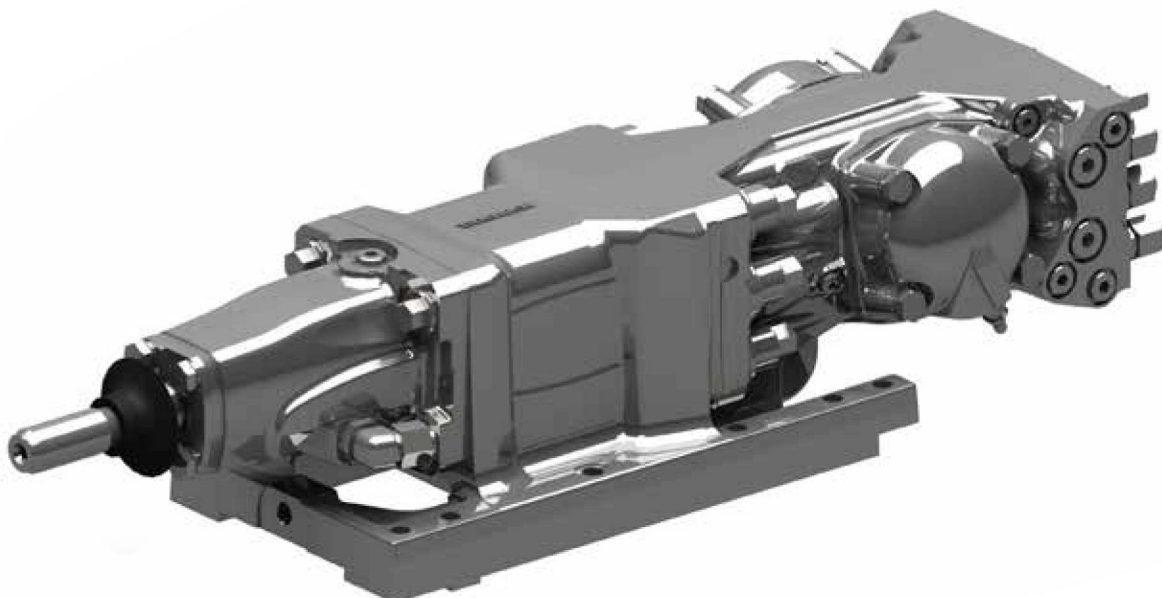
RDX5 rock drill is known for its exceptional durability. The robustness is achieved by less pressurized seams and simple design with only two moving parts. The design of the rock drill enhances hydraulic efficiency while lessening wear on the parts.

RDX5 has excellent serviceability through modular construction and visual wear indicators. It also has an integrated carriage for ease of service.

Shank lubrication drain is led to feed surfaces to reduce lubrication fume, creating a more comfortable working environment.

### MAIN DIMENSIONS

Hole diameter drilling	43 - 64 mm
Hole diameter reaming	76 - 127 mm
Power class	20 kW
Percussion rate	67 Hz
Operating pressure Percussion	120 - 220 bar
Rotation (max.)	175 bar
Rotation motor type	OMS 80, OMS 125 or OMS 160
Drill steels	R32, R39 or Hex 35 mm drifter rods, MF-rods highly recommended
Shanks	45 mm / T38 / R32 / T35 / R38 / T45
Weight	210 kg



**ROTATION MECHANISM**

Motor	Orbit type
Motor type 1	OMS 80
Torque (at 175 bar)	400 Nm
Rotation speed	0 - 250 rpm
Flow (at max speed)	46 l/min

**ROTATION MECHANISM**

Motor	Orbit type
Motor type 2	OMS 125
Torque (at 175 bar)	625 Nm
Rotation speed	0 - 250 rpm
Flow (at max speed)	72 l/min

**ROTATION MECHANISM**

Motor	Orbit type
Motor type 3	OMS 160
Torque (at 175 bar)	780 Nm
Rotation speed	0 - 200 rpm
Flow (at max speed)	74 l/min

**FLUSHING PRESSURE**

Max. pressure (air / water)	20 bar
-----------------------------	--------

**ACCUMULATORS**

Accumulator gas	Nitrogen N2
High pressure (HP)	50 bar
Low pressure (LP)	4 bar
Filling valve	Vg8 DIN7756

**SHANK LUBRICATION**

Air flow	250 - 350 l/min
Pressure	4 - 7 bar
Oil consumption	180 - 250 g/h

**OIL RECOMMENDATION**

Oil operating temperature	+40°C up to +60°C
Oil recommendation	See Sandvik drill rigs lubricant recommendation for detailed information

**OPTION**

Special tools for RDX5 Complete set	See specification TS2-435
Special tools for RDX5 field tools set	See Specification TS2-434
Power extractor	See separate specification

