

# SANDVIK HF820T

## TECHNICAL SPECIFICATION

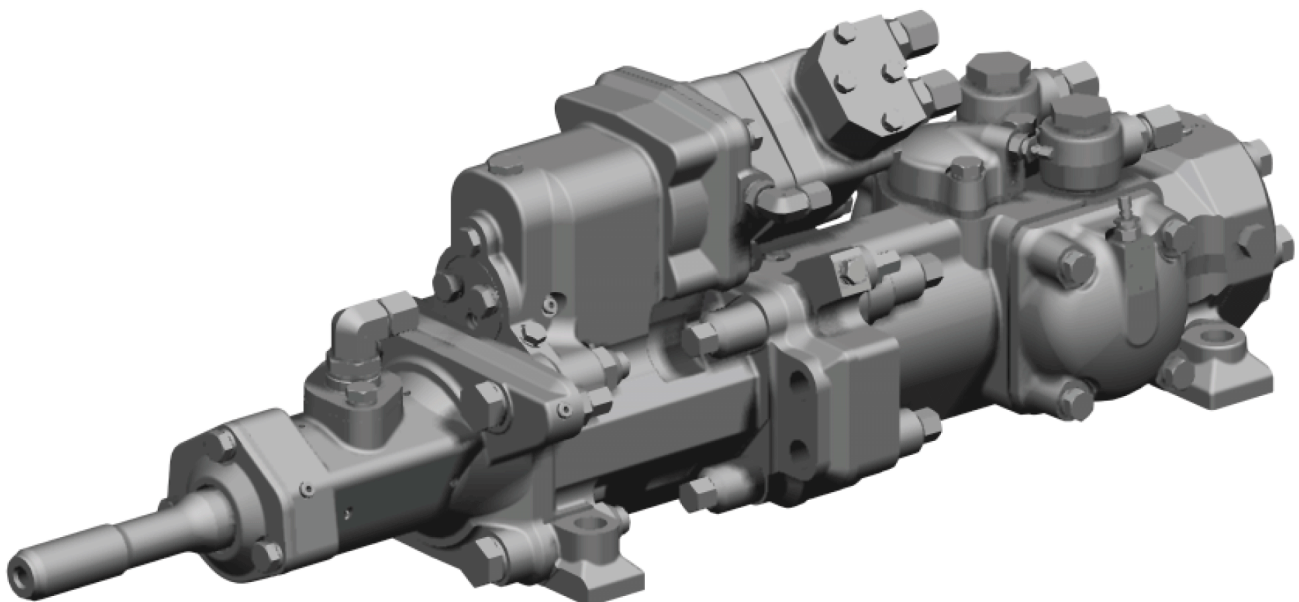
Sandvik HF820T hydraulic rock drill is designed for drilling 64-127 mm diameter holes. This rock drill belongs to Sandvik hydraulically controlled surface and underground long hole drill rigs..

Sandvik HF820T is a heavy hydraulic percussive rock drill with independent rotation and separate flushing. High drilling capacity and reliability are enabled by functional modules. Sandvik HF820T is equipped with a hydraulic stabilizer to control contact between drill bit and rock. This ensures optimal drilling performance with high drill steel life time. Three rotation motor options are available for torque/speed adjustment.

Optional Power Extractor guarantees trouble-free drilling in extreme conditions. The design is covered by several patents.

### KEY FEATURES

Hole diameter	64 - 127 mm
Power class	23 kW
Percussion rate	60 Hz
Operating pressure	230 bar 100 – 230 bar (percussion) 200 bar (rotation max.)
Rotation motor type	OMT 200, OMT 250, OMT 315
Drill steels	38 / 45 / 51 mm
Shank adapter	Male type, side flushing
38 mm rods (Not optimal)	T38 / 600
45 mm rods	T45 / 600
51 mm rods (Optimal)	T51 / 600



## MAIN DIMENSIONS

Overall length	1 268 mm
Length	1 066 mm
Profile height	291 mm
Width	334 mm
Weight	265 - 310 kg

## ROTATION MECHANISM

Motor	Orbit type (3 options)		
Motor type	OMT200	OMT250	OMT350
Torque (200 bar)	1 095 Nm	1 335 Nm	1 765 Nm
Rotation speed	0 - 180 rpm	0 - 180 rpm	0 - 180 rpm
Flow (at max. speed)	79 l/min	99 l/min	128 l/min

## FLUSHING

Max. pressure (air / water)	20 bar
-----------------------------	--------

## ACCUMULATORS

Accumulator gas	Nitrogen N2
High pressure (HP)	50 bar
Low pressure (LP)	4 bar
Stabilizer	30 bar
Filling valve	Vg8 DIN 7756

## SHANK LUBRICATION

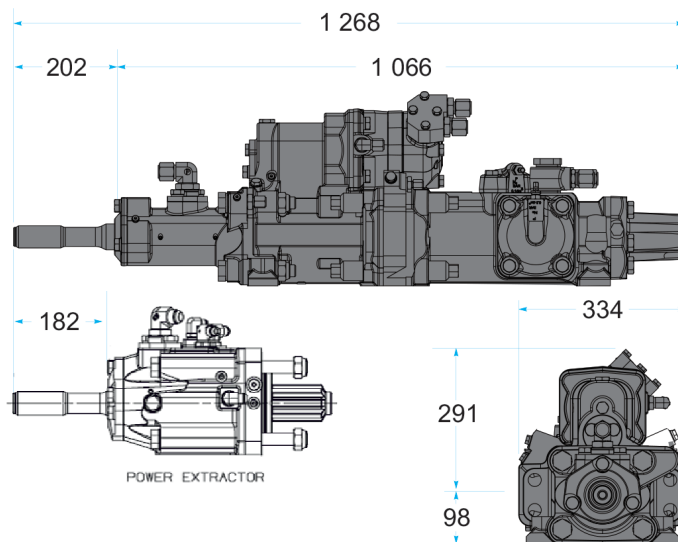
Air flow (pressurized)	200 - 300 l/min
Air pressure (at rock drill)	4 - 7 bar
Oil consumption	250 - 550 g/h

## OIL RECOMMENDATIONS

Oil operating temperature	+40°C - +60°C
Oil recommendation	See Sandvik drill rigs lubricant recommendation for detailed information

## OPTIONS

Power extractor	See separate specification
Tools for HF820T Complete set	ID 551 506 23
Tools for HF820T Field service set	ID 550 055 29



Z10 551506-01 01/17

Copyright © Delkom A.Ş. 2017  
Tüm hakları saklıdır.

Resmiyetle yayımlanmıştır. Her hakkı saklıdır. İzinsiz kullanıma izin verilmemiştir.

www.delkom.com.tr