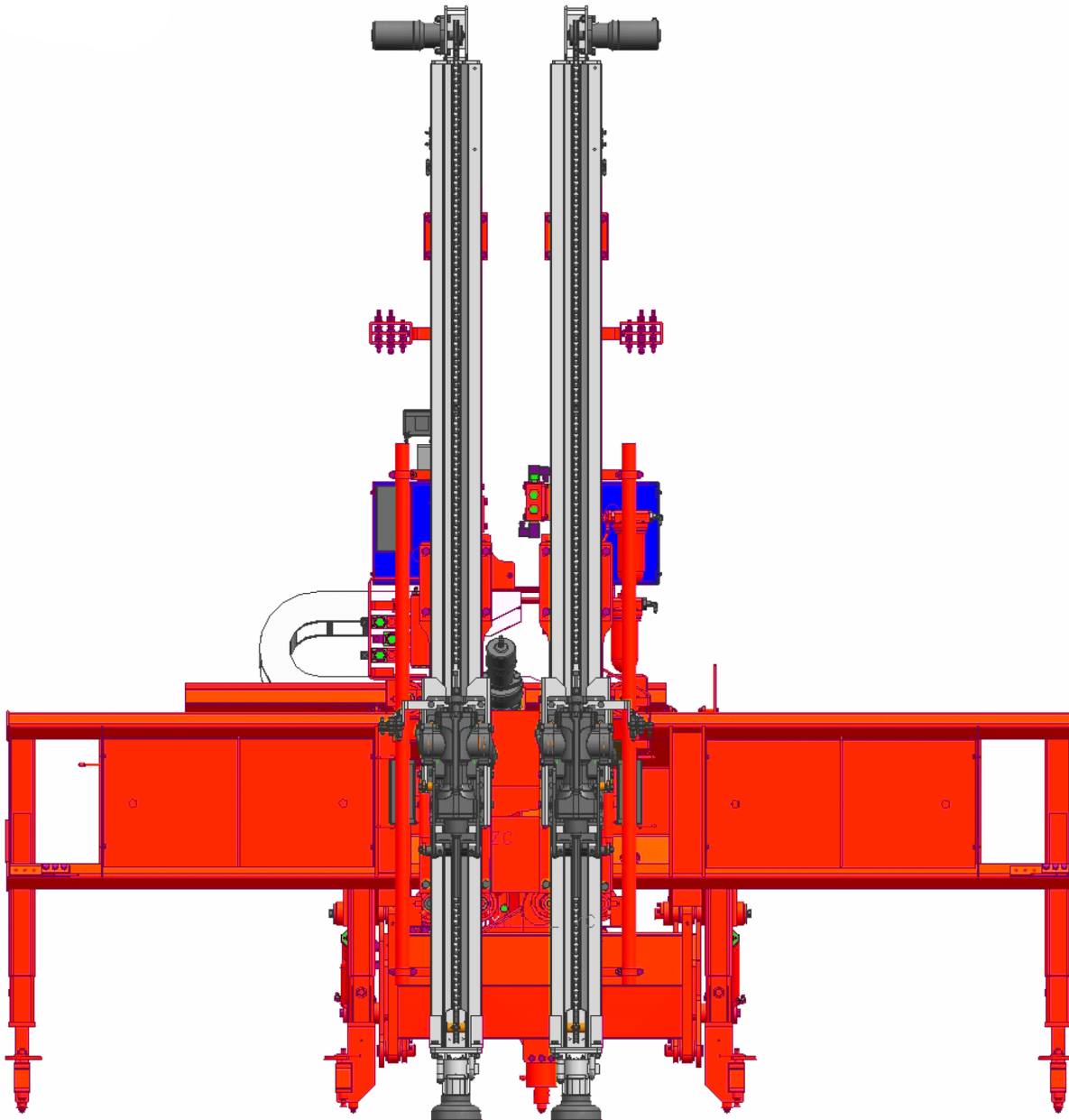


# DQ240 SURFACE DRILLS

TECHNICAL SPECIFICATION



## APPLICATION

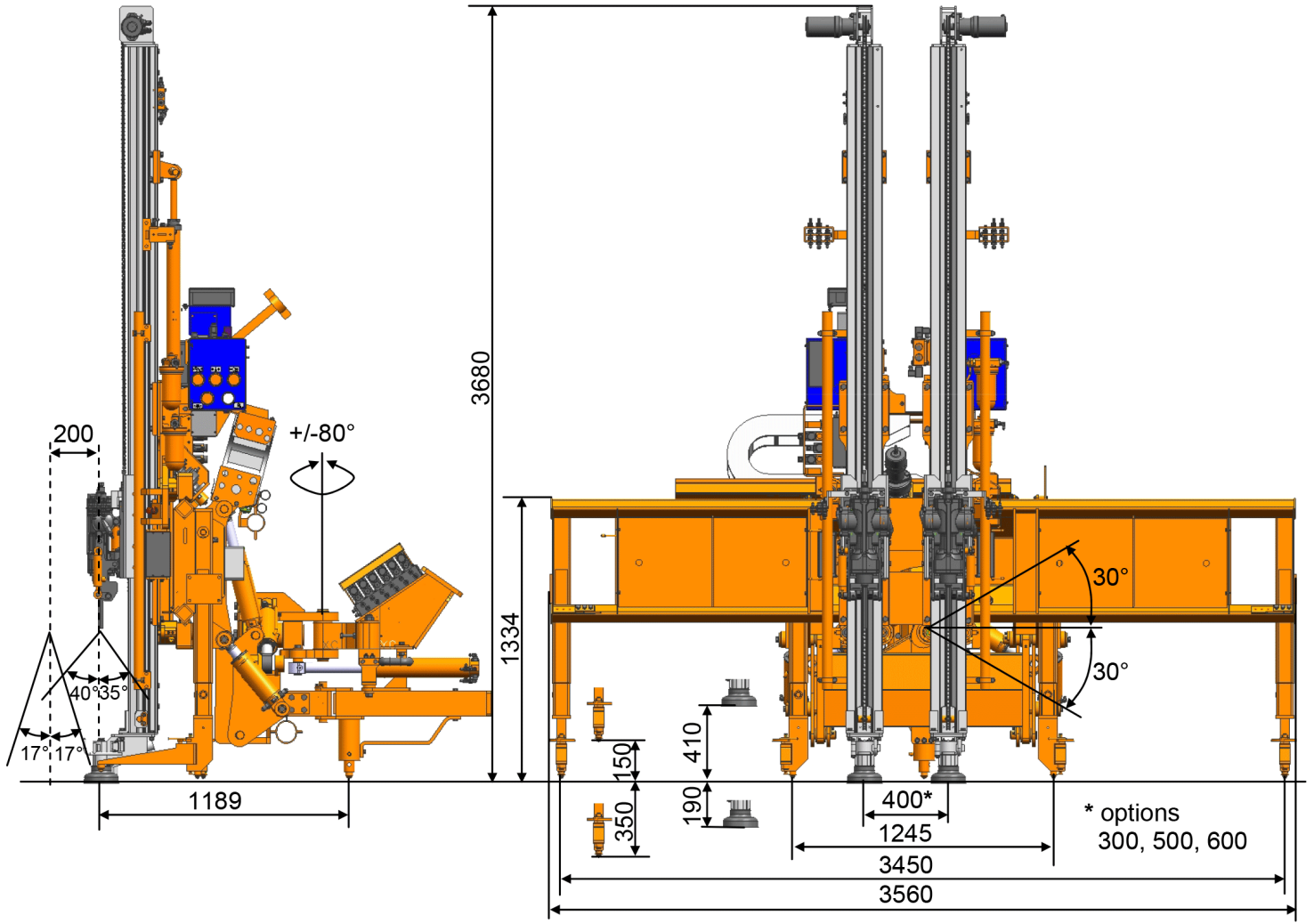
Sandvik DQ240 is hydraulically operated, excavator mounted splitting and line drilling unit for dimensional stone quarries. It drills vertical aligned holes with maximum recommended hole diameter of 38 mm (1 1/2") utilizing 19 or 22 mm (3/4" or 7/8") hexagonal drill steels.

For high efficiency DQ240 is equipped with two pieces of HEX 1, hydraulic top hammer rock drills with anti-jamming automatics. The rock drills are mounted on aluminium chain feeds, which are attached to a frame giving 3 150 mm line drilling capacity.

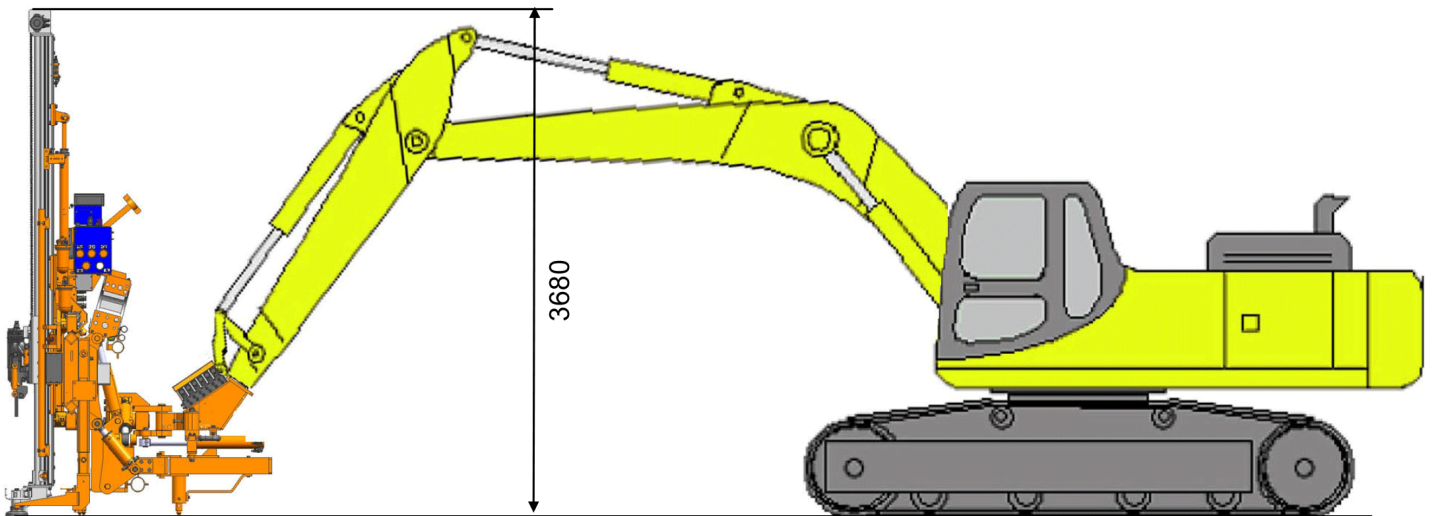
The frame can be rotated 80° vertically and 30° horizontally and extended 200 mm from the ground pin without moving the boom

All drilling functions can be executed from a remote control box. Thanks to the electronics, there are fewer levers to make it easy to use.

## DQ240 DIMENSIONS



## TRANSPORT DIMENSIONS



width 3560

## STANDARD COMPONENTS

- |     |  |  |
|-----|--|--|
| 1.  | Rock drills                              | 2 x HEX 1, hydraulic   |
| 2.  | Chain feeds                              | 2 x CF 100 x 24  |
| 3.  | Hydraulic system                         | Open center  |
| 4.  | Control system                           | 2 x TA 341 E-24,<br>electric remote  |
| 5.  | Dust collection system                   | DC 660 H   |
| 6.  | Shank lubricators                        | 2 x WL 30  |
| 7.  | Trimmer frame                            |  |
| 8.  | Hydraulic jacks                          | 4 pcs  |
| 9.  | Working lights                           | 2 pcs  |
| 10. | Excavator assembly kit                   |  |
| 11. | Lock valves for excavator boom cylinders |  |
| 12. | Manuals                                  | Operating maintenance and spare parts manuals:<br>2 x paper copy<br>2 x CD-ROM |
| 13. | EU-safety devices                        |  |

## TRANSPORT DIMENSIONS

- |                           |          |
|---------------------------|----------|
| Weight; without excavator | 2 900 kg |
| Width                     | 3 470 mm |
| Height                    | 3 680 mm |

## SELECTION OF OPTIONS

- |    |  |          |     |   |
|----|--|----------|-----|---|
| 1. | 2 x Chain feeds CF 100 x 32<br>(replaces the standard component) |          | 3.  | Steel wearing strips for chain feeds, 2 sets                  |
|    | Length of feed   | 4 540 mm | 4.  | Drill steel pulling device with hydraulic front centralizer   |
|    | Rock drill travel  | 3 200 mm | 5.  | Hydraulic front centralizer                                   |
|    | Max. length of starter rod                                       | 3 200 mm | 6.  | Spirit level angle indicator                                  |
|    | Hole depth with starter rod                                      | 2 790 mm | 7.  | Remote control for excavator boom and swing                   |
|    | Max. length of second rod  | 6 400 mm | 8.  | Hydraulic drill steel grinder; Dynaset                        |
|    | Hole depth with second rod                                       | 5 990 mm | 9.  | Hydraulic drill steel grinder for hexagonal steels, Sanroc IL |
|    | Single pass first drill steel                                    | 3 600 mm | 10. | Water flushing kit for DQ240, 2 sets                          |
|    | Hole depth   | 3 200 mm | 11. | Special ground support  |
|    | Weight / piece   | 235 kg   | 12. | Special tools for HEX 1 rock drill, complete ID 550 259 07    |
| 2. | 2 x Chain feeds CF 100 x 40<br>(replaces the standard component) |          | 13. | Extra manuals   |
|    | Length of feed   | 5 240 mm |     |   |
|    | Rock drill travel  | 3 900 mm |     |   |
|    | Max. length of starter rod                                       | 4 000 mm |     |   |
|    | Hole depth with starter rod                                      | 3 590 mm |     |   |
|    | Max. length of second rod  | 7 900 mm |     |   |
|    | Hole depth with second rod                                       | 7 490 mm |     |   |
|    | Single pass first drill steel                                    | 4 300 mm |     |   |
|    | Hole depth   | 3 900 mm |     |   |
|    | Weight / piece   | 250 kg   |     |   |

### Not delivered by Sandvik:

- Mounting bracket between excavator boom and DQ240
- Hydraulic connection between Trimmer and excavator hydraulics