

DC122R SURFACE DRILLS

TECHNICAL SPECIFICATION



Sandvik DC122R is a fully remote controlled, hydraulic and self-propelled drilling unit on a 4-wheel drive carrier.

Typical applications for DC122R are foundation drilling, road cutting, trenching, bolting, line drilling in dimensional stone quarries, and other special drilling applications. Therefore DC122R is most often used by construction contractors, mines and quarries, and the municipal sector. Due to its versatility DC122R is often included in the equipment fleet of rental houses as well.

| | |
|----------------------|--|
| Hole Diameter: | 22 - 45 mm ($\frac{1}{8}$ " - $1 \frac{3}{4}$ ") |
| Rock Tools: | 19, 22 or 25 mm ($\frac{3}{4}$ ", $\frac{7}{8}$ " or 1") rods |
| Rock Drill: | 5,5 kW |
| Engine Output: | 37 kW |
| Flushing Air: | 1,2 m ³ /min, up to 8 bar |
| Production Capacity: | 300 - 540 m ³ /8h |
| Total Weight | 2 850 kg |

STANDARD COMPONENTS

| | |
|------------------|--|
| Rock drill | HEX 1, hydraulic |
| Chain feed | CF 100 x 32 / HEX 1, incl. one set of jaws |
| Rod rack | On the carrier |
| Boom | DB 120, articulated |
| Carrier | Rubber-tyred |
| Powerpack | Diesel driven, hydraulic pumps and on-board compressor |
| Hydraulic system | Open center |
| Control system | TA132E/120, radio remote |
| Dust collector | DC 120, hydraulic |
| Working lights | 4 pcs |
| Hydraulic jacks | 4 pcs |
| Manuals | Service and spare parts manuals: 1 x paper copy 1 x CD-ROM (Toolman) |

SELECTION OF OPTIONS

| | |
|-----|--|
| 1. | Hydraulic winch (1 ton) |
| 2. | Chain tracks |
| 3. | Hydraulic drill steel grinder, Dynaset |
| 4. | Hydraulic drill steel grinder for hexagonal steels, Sanroc ILH |
| 5. | TIM 1402 feed angle measuring system |
| 6. | TIM 1403 feed angle and hole depth measuring system |
| 7. | TIM 1404 feed angle measuring and adjusting system |
| 8. | Spirit level angle indicator |
| 9. | Water flushing kit without water pump |
| 10. | Shut down of suction for water holes |

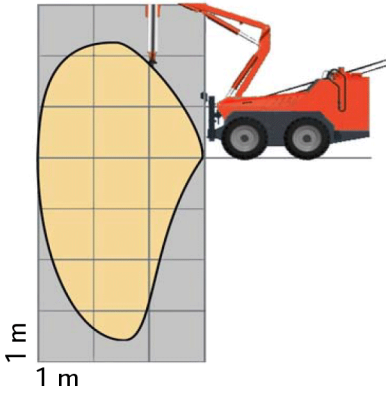
THE JAWS FOR DRILL STEELS

| <i>Drill steel type</i> | <i>Drill steel diameter</i> | <i>Recommended hole diameter</i> |
|-----------------------------|-----------------------------|--|
| Hexagonal steels | 19 mm $\frac{3}{4}$ " | 22 - 27 mm $\frac{7}{8}$ " - $1\frac{1}{16}$ " |
| Hexagonal steels | 22 mm $\frac{7}{8}$ " | 28 - 45 mm $1\frac{7}{64}$ " - $1\frac{3}{4}$ " |
| Hexagonal steels | 25 mm 1" | 35 - 45 mm $1\frac{3}{8}$ " - $1\frac{3}{4}$ " |
| MF rods | R23 | 33 - 45 mm $1\frac{5}{16}$ " - $1\frac{3}{4}$ " |
| Shank adapter/ Shank rod | R23 | 33 - 45 mm $1\frac{5}{16}$ " - $1\frac{3}{4}$ " |
| Shank rod Alpha 250 | 25 mm 1" | 35 - 45 mm $1\frac{3}{8}$ " - $1\frac{3}{4}$ " |

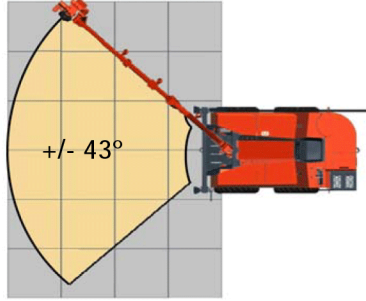
If several jaws selected please specify jaws assembled

| | |
|-----|--|
| 11. | Manual fuel filling pump |
| 12. | Electric fuel filling pump |
| 13. | Electric engine heater |
| 14. | Extra manuals |
| 15. | First service kit for DC122R |
| 16. | Special tools for HEX 1, complete set ID 550 259 07 |
| 17. | Biodegradeable hydraulic oil, Shell Naturelle HFE 46 or HFE 68 (synthetic ester) |
| 18. | PTX exhaust gas purifier |
| 19. | Central lubrication system |

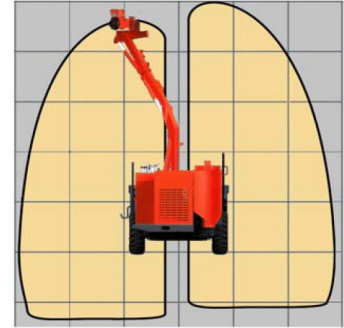
Vertical drilling



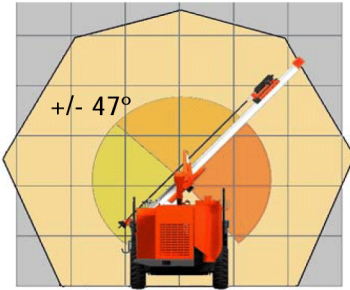
Vertical drilling



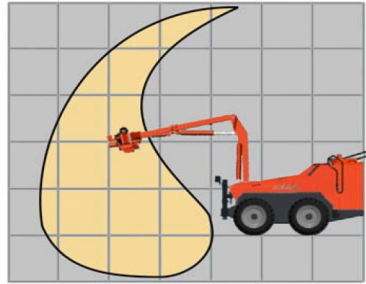
Horizontal drilling, forwards



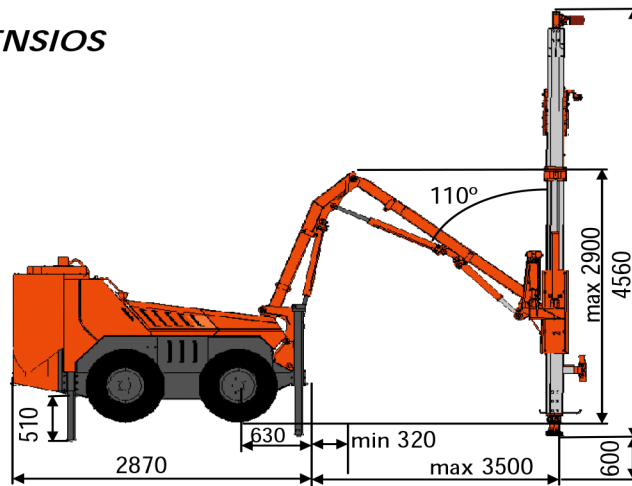
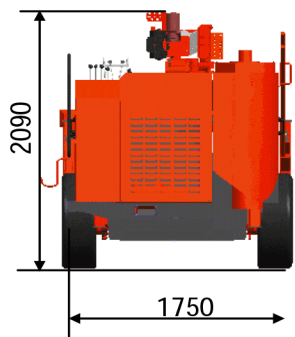
Horizontal drilling, sideways
With manual roll-over



Horizontal drilling, sideways



TRAMMING AND TRANSPORT DIMENSIS



| | |
|--------------------------|----------|
| Weight (without options) | 2 850 kg |
| Width | 1.8 m |
| Height | 2.1 m |
| Total length | 4.6 m |