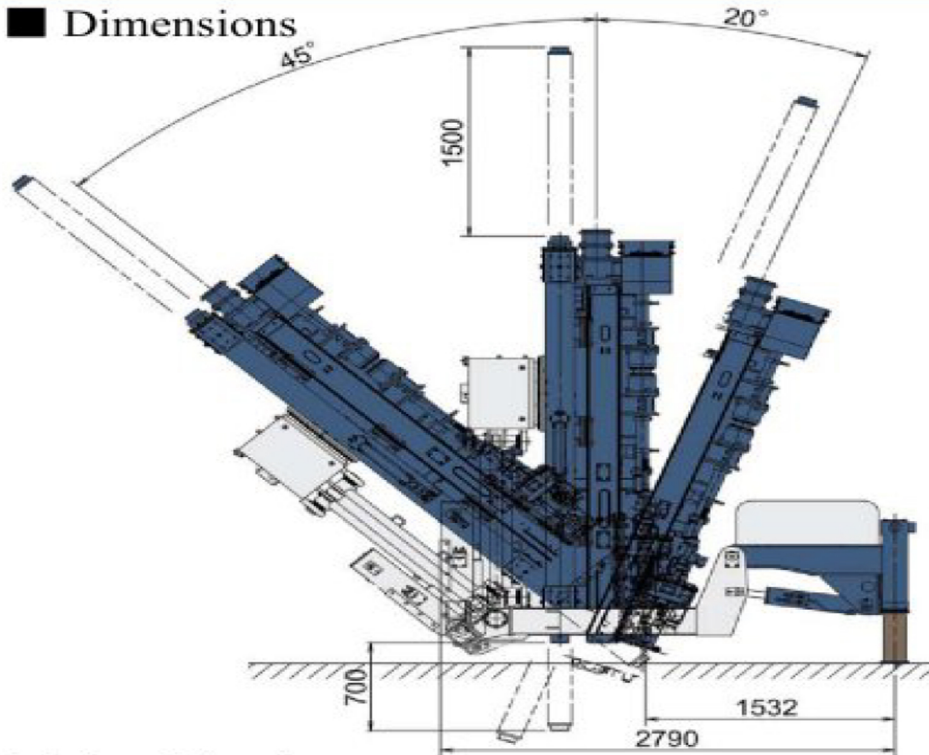


FTH1AM-709 SURFACE DRILLS

TECHNICAL SPECIFICATION



■ Specifications

Model	FTH1AM-709
General	
Operating weight	15,000 kg
Hydraulic Drifter	HD709
Overall length	7,360 mm
Overall width	2,000 mm
Overall height(operator roof lowered)	2,500 mm
Wheelbase	2,475 mm
Traveling speed	0 ~ 8.5 km/h
Gradeability	15°
Min.turning radius(Outside)	5,800 mm
Min.turning radius(Inside)	2,900 mm
ZC14635 Guide shell	
Overall length	3,300 mm
Feed length	1,600 mm
Rod length	1,220 mm
ZC14635 Boom	
Boom length (minimum)	2,200 mm
Boom lift angle	up90° ~ down0°
Guide tilt angle	up45° ~down 20°
Guide rotary angle	360°
Guide slide length	500 mm
Top anchor slide length	1,500 mm
Bottom anchor slide length	700 mm
Parallel Drilling	1,640 mm
ZC14635 Rod changer	
Rod quantity	21
Rod length	1,220 mm x T38-MFRod