

FLEXIROC T35 SURFACE DRILLS

TECHNICAL SPECIFICATION



Technical specifications

Main Components

- Track frames with single grouser pads and cleaning holes .
- Hydraulic track oscillation and two speed traction.
- Atlas Copco screw type compressor
- Operator's cabin, ROPS and FOPS approved.
- LED work lights.
- Folding boom system.
- Aluminum profile feed beam
- Hydraulic cylinder feed system
- Carousel type rod handling system, 1 + 7 rods.
- Hydraulic rock drill.
- Dust collection system.
- Dust pre separator.
- Double hydraulic drill rod support with movable down support.
- Service lamp inside canopy.
- Rock drill oil collecting system.
- Rubber skirt for DCT.
- COP Logic.

Hole range (recommended)

	Thread	Metric	US
FlexiROC T35 & T35-LF	T38, T45, T51	64–115 mm	2.5"–4.5"
FlexiROC T40	T45, T51	64–127 mm	2.5"–5"
Hydraulic rod handling system for max hole length, with 3,6 m (12') ext. rods			
FlexiROC T35	T38, T45, T51	28 m	92'
FlexiROC T40	T38, T45, T51	28 m	92'
Hydraulic rod adding system for max hole length, with 6,1 m + 4,2 m (20' + 14')			
FlexiROC T35 -LF	T38, T45, T51	10 m	33'

Engine

Caterpillar turbo charged, diesel engine, CAT C71, 3/EU Stage IIIA and Tier 4 Final/EU stage IV with AdBlue Power rating at 2200 rpm	168 kW (225 HP)
--	-----------------

Hydraulic system

Return and drainage filters (filtration rate)	16 µm absolute
Hydraulic oil cooler max ambient temperature	50°C (122°F)

Hydraulic Rock drill

Rock drill	Drill rig	Hole diameter		Impact power		Hydraulic pressure, max		Impact rate, max	Torque, max		Weight approx	
COP SC19	FlexiROC T35	Ø 64–115 mm	Ø 2.5"–4.5"	19 kW	25.5 hp	230 bar	3 336 psi	42–50 Hz	1 970 Nm	1 453 lbf/ft	174 kg	384 lb
COP SC19X											226 kg	498 lb
COP SC25-HF	FlexiROC T35 FlexiROC T40	Ø 64–89 mm	Ø 2.5"–3.5"	25 kW	33.5 hp	240 bar	3 481 psi	55–71 Hz	1 550 Nm	1 143 lbf/ft	184 kg	405.6 lb
COP SC25X-HF											244 kg	538 lb
COP SC25-HE	FlexiROC T40	Ø 76–127 mm	Ø 3"–5"	25 kW	33.5 hp	200 bar	2 900 psi	44–55 Hz	1 970 Nm	1 453 lbf/ft	195 kg	430 lb
COP SC25X-HE											249 kg	549 lb

Feed

	FlexiROC T35		FlexiROC T35-LF		FlexiROC T40	
	Metric	US	Metric	US	Metric	US
Feed extension	1 400 mm	55"	1 400 mm	55"	1 400 mm	55"
Feed rate, max	0.92 m/s	184 ft/min	0.92 m/s	184 ft/min	0.92 m/s	184 ft/min
Feed force, max	20 kN	4 400 lbf	20 kN	4 400 lbf	20 kN	4 400 lbf
Tractive pull, max	20 kN	4 400 lbf	20 kN	4 400 lbf	20 kN	4 400 lbf
Total length	7 140 mm	281"	8 240 mm	325"	7 140 mm	281"
Travel length	4 240 mm	167"	8 670 mm	341"	4 240 mm	167"

Compressor

Atlas Copco OIS K-36-C111GD, screw compressor	FlexiROC T35		FlexiROC T35-LF		FlexiROC T40	
	Metric	US	Metric	US	Metric	US
Working pressure, max	10.5 bar	152 psi	10.5 bar	152 psi	10.5 bar	152 psi
FAD, at normal working pressure	127 L/s	270 cfm	127 L/s	270 cfm	149 L/s	316 cfm

Volumes

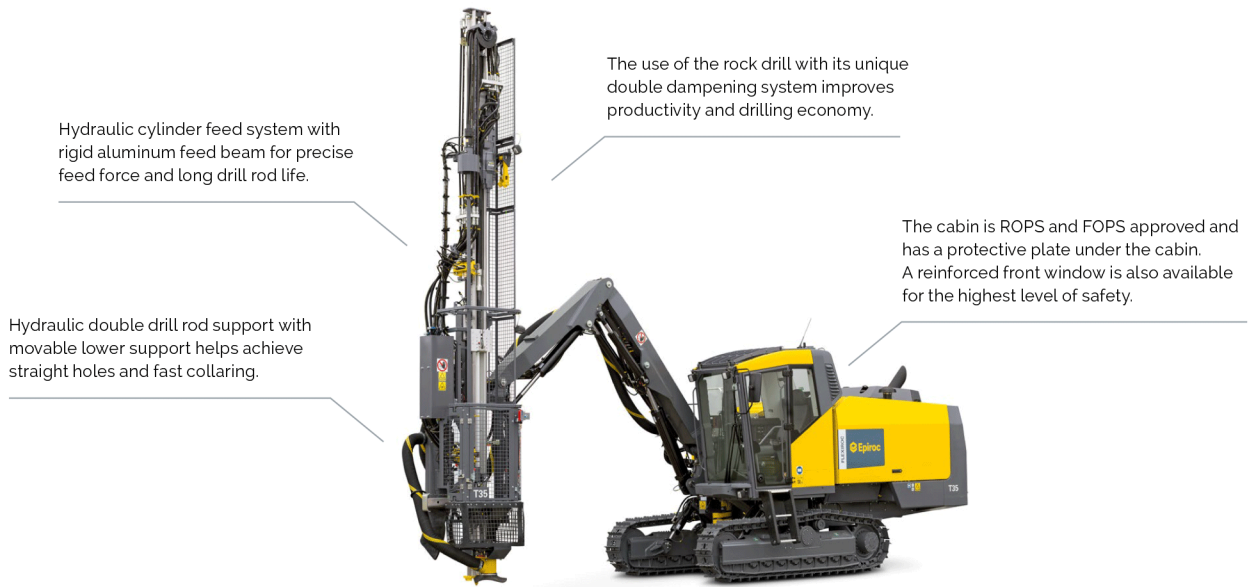
	Metric	US
Hydraulic oil tank	250 l	65.0 gal
Hydraulic system, total	300 l	79.0 gal
Compressor oil	24 l	6.3 gal
Diesel engine oil	28 l	7.4 gal
Diesel engine, cooling water	35 l	9.2 gal
Diesel engine, fuel tank	370 l	98.0 gal
Traction gear	3 l	0.8 gal
Lubrication tank (ECL)	10 l	2.6 gal

Electrical system

Voltage	24 V
Batteries	2 x 12 V, 185 Ah
Alternator	28 V, 95 Ah
Work lights, front	4 x 70 W
Work lights, rear	2 x 70 W
Work lights, feed	2 x 70 W
Warning lamp and reverse buzzer	

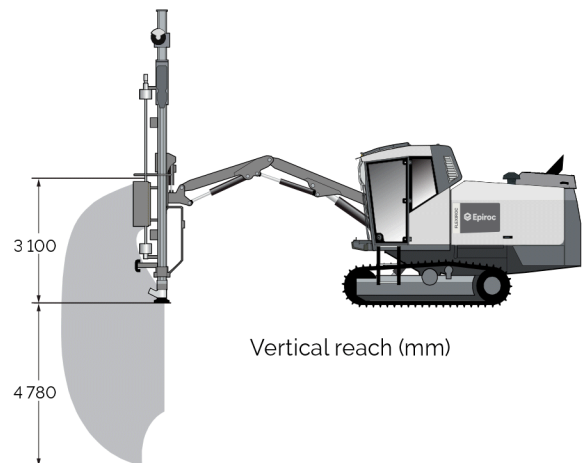
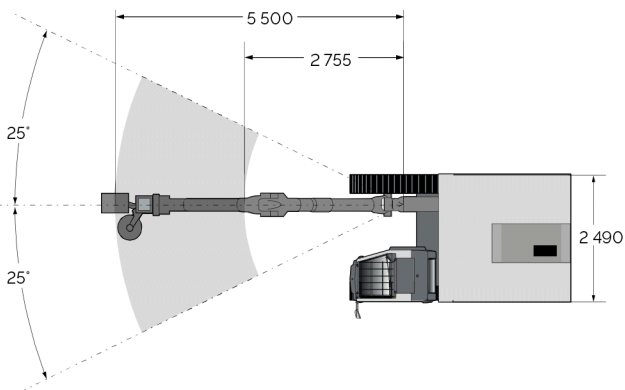
Dust collector DCT 110

	Metric	US
Filter area	11 m ²	118 sq.ft
Suction capacity at 500 mm wg	560 L/s	1 200 cfm
Suction hose diam	127 mm	5"
Cleaning air pressure, max	7.5 bar	109 psi
Cleaning air consumption	2–4 l/pulse	0.06–0.12 cu.ft/pulse
Number of filter elements	11 pcs	

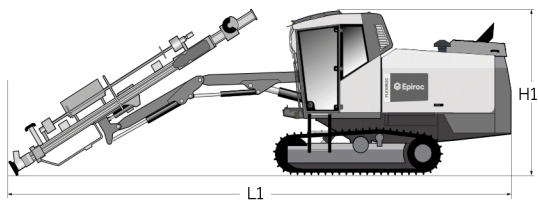


Safety cabin

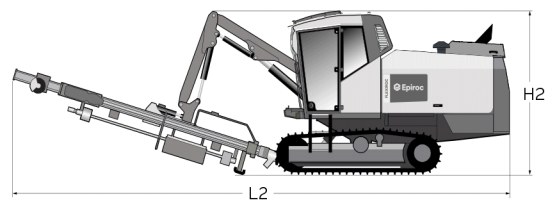
- ROPS and FOPS approved with rubber vibration dampers
- 2 x wipers with washer
- Clear laminated glass (10 mm front and roof windows)
- Fully adjustable operator's seat
- Cabin light
- Rig inclination indicator
- Rear view mirror
- Fire extinguisher, 6 kg (13 lbs) dry chemical type ABE class III type
- Outlet socket, 24 V
- Clear laminated glass (8 mm side window)
- Prepared with speakers for CD-radio or DVD radio
- Clear toughened glass (8mm rear window)
- Combined front mounted platform/tool box
- Electrical heated chair
- Cab heating



Vertical reach (mm)



Feed dumped 1



Feed dumped 2

Transport dimensions & weight

	FlexiROC T35		FlexiROC T40		FlexiROC T35 -LF	
	Metric	US	Metric	US	Metric	US
Weight	15 500 kg	34 170 lbs	15 500 kg	34 170 lbs	15 350 kg	33 840 lbs
Feed dumped 1						
Height, (H1)	3 200 mm	126"	3 200 mm	126"	3 250 mm	128"
Length, (L1)	11 600 mm	457"	11 600 mm	457"	12 200 mm	480.5"
Feed dumped 2						
Height, (H2)	3 500 mm	138"	3 500 mm	138"	3 500 mm	138"
Length, (L2)	11 000 mm	433"	11 000 mm	433"	11 970 mm	471"