

BOOMER L2D UNDERGROUND DRILLS

TECHNICAL SPECIFICATION



BOOMER L2D

Hydraulically controlled face drilling
rig with a coverage area up to 104 m²



DRILLING SYSTEM

| | |
|---|----------------------------------|
| COP 1638HD+ | <input type="radio"/> |
| COP 1838HD+ | <input checked="" type="radio"/> |
| COP 2238HD+ | <input type="radio"/> |
| Air-water mist flushing: External air and water supply, oil cooled by water, external air and water supply, oil cooled by air fan, internal air and water supply, oil cooled by water, internal air and water supply, oil cooled by air fan | <input type="radio"/> |
| Hole blowing kit | <input type="radio"/> |
| Hole blowing kit with external air supply | <input type="radio"/> |
| Big hole drilling system | <input type="radio"/> |

BOOM

| | |
|--|----------------------------------|
| BUT 35 | <input checked="" type="radio"/> |
| Service platform HL 210 MBED | <input type="radio"/> |
| Feed angle measurement system, FAM 1 | <input type="radio"/> |
| Feed angle measurement system with hole depth measurement, FAM 2 | <input type="radio"/> |
| Automatic boom lubrication kit, rear part of boom | <input type="radio"/> |

FEED

| | |
|---|----------------------------------|
| BMH 6800-Series 14ft, 16ft, 18ft | <input checked="" type="radio"/> |
| Telescopic feed BMHT 6000-series | <input type="radio"/> |
| Extension drilling set BSH 110 (BMH feeds only) | <input type="radio"/> |
| Feed prepared for RAS | <input type="radio"/> |
| Rod Adding System, RAS | <input type="radio"/> |
| Water spraying kit on cradle | <input type="radio"/> |

AIR/WATERSYSTEM

| | |
|--|----------------------------------|
| Hydraulically driven screw compressor: Atlas Copco GAR 5 | <input checked="" type="radio"/> |
| Hole blowing kit with 80 l air receiver | <input type="radio"/> |
| Compressor, GAR 30 | <input type="radio"/> |
| Water booster pump: capacity at 15 bar: 250 l/min | <input checked="" type="radio"/> |
| Min water inlet pressure at 200 l/mi: 2 bar | <input checked="" type="radio"/> |
| Water hose reel | <input type="radio"/> |

HYDRAULIC SYSTEM

| | |
|-----------------------------------|----------------------------------|
| Low oil level indicator | <input checked="" type="radio"/> |
| Oil temperature gauge on oil tank | <input checked="" type="radio"/> |
| Electrical oil filling pump | <input checked="" type="radio"/> |
| Oil filter indicator | <input checked="" type="radio"/> |
| Water cooled oil | <input checked="" type="radio"/> |
| Filtration: 16 µm | <input checked="" type="radio"/> |
| Mineral hydraulic oil | <input checked="" type="radio"/> |
| Biodegradable hydraulic oil | <input type="radio"/> |

CABIN (OPTIONAL)

| | |
|---|-----------------------|
| FOPS/ROPS approved cabin, noise level <80 dB(A), height 3 044 mm including: | <input type="radio"/> |
| Air conditioning unit, fixed seat, CD-changer, boot washing kit | <input type="radio"/> |
| Front window, 24 mm | <input type="radio"/> |
| Heating function for air conditioning (water transferred) | <input type="radio"/> |
| Electrical heater, 1.2 kW, 230 V (CE) | <input type="radio"/> |
| Joystick-controlled spotlights left and/or right | <input type="radio"/> |

PROTECTIVE ROOF

| | |
|-------------------------------------|-----------------------|
| Manual spotlight, left and/or right | <input type="radio"/> |
|-------------------------------------|-----------------------|

ELECTRICAL SYSTEM

| | |
|--|----------------------------------|
| Total installed power: 158 kW | <input checked="" type="radio"/> |
| Main motors: 2 x 75 kW | <input checked="" type="radio"/> |
| Voltage: 380–1 000 V | <input checked="" type="radio"/> |
| Frequency: 50–60 Hz | <input checked="" type="radio"/> |
| Starting method: star/delta (1 000 V direct start) | <input checked="" type="radio"/> |
| Electronic overload protection for electric motors | <input checked="" type="radio"/> |
| Percussion hour meter on operator display | <input checked="" type="radio"/> |
| Digital voltmeter/amperage meter in electric cabinet | <input checked="" type="radio"/> |
| Phase sequence indicator | <input checked="" type="radio"/> |
| Earth fault indicator | <input checked="" type="radio"/> |
| Battery charger | <input checked="" type="radio"/> |
| Transformer: 8 kVA | <input checked="" type="radio"/> |
| Working lights, halogen: 2x1 000 W | <input checked="" type="radio"/> |
| Cable reel, diameter: 1 600 mm | <input checked="" type="radio"/> |
| Dual controls for cable reel | <input checked="" type="radio"/> |
| Stainless steel electrical enclosure | <input type="radio"/> |
| Electric cable type H07RN-F or Buxflex | <input type="radio"/> |
| Plug for cable | <input type="radio"/> |
| Switch gear | <input type="radio"/> |
| Electric outlet for accessories, 16 A (CE and not for 1 000 V) | <input type="radio"/> |
| Extra transformer 3-phase, 15 kVA, 230/400 V | <input type="radio"/> |
| Starting method – soft start (not for 1 000 V) | <input type="radio"/> |

CARRIER

| | |
|---|----------------------------------|
| Deutz 4-cylinder, TCD 2013 L04, EPA III/COM III (Tier3/Stage IIIA) approved 4-stroke prechamber diesel engine | <input checked="" type="radio"/> |
| Power rating at 2 300 rpm: 120 kW (160 hp) | <input checked="" type="radio"/> |
| Articulated steering: ±38° steering angle | <input checked="" type="radio"/> |
| Fixed seat for tramming | <input checked="" type="radio"/> |
| Four-wheel drive | <input checked="" type="radio"/> |
| Hydrostatic power steering system | <input checked="" type="radio"/> |
| Hydrodynamic transmission: Clark 24000 | <input checked="" type="radio"/> |
| Front axle: Dana 114 | <input checked="" type="radio"/> |
| Rear axle: Dana 114, ±8° oscillation | <input checked="" type="radio"/> |
| Automatic differential lock on front axle, limited slip | <input checked="" type="radio"/> |
| Tyres: 14.00 x R24 | <input checked="" type="radio"/> |
| Clearance outside axles: 19° front, 14° rear | <input checked="" type="radio"/> |
| Hydraulic jacks, front: 2 extendable | <input checked="" type="radio"/> |
| Hydraulic jacks, rear: 2 | <input checked="" type="radio"/> |
| Service brakes: 2 separate circuits | <input checked="" type="radio"/> |
| Emergency and parking brakes: SAHR | <input checked="" type="radio"/> |
| Fuel tank, volume: 100 l | <input checked="" type="radio"/> |
| Exhaust catalyser | <input checked="" type="radio"/> |
| Silencer | <input checked="" type="radio"/> |
| Electric system: 24 V | <input checked="" type="radio"/> |
| Batteries: 2 x 12 V, 125 Ah | <input checked="" type="radio"/> |
| Tramming lights, 6 x 40 W 24 V LED, 2 x 70 W halogen | <input checked="" type="radio"/> |
| Working lights: 4 x 80 W LED, 24 V DC | <input checked="" type="radio"/> |
| Brake lights | <input checked="" type="radio"/> |
| Fire extinguisher | <input checked="" type="radio"/> |
| Central lubrication system | <input checked="" type="radio"/> |
| Gradeability at max. load on drive wheels: 1:4 | <input checked="" type="radio"/> |
| Horn, beacon and reverse alarm | <input checked="" type="radio"/> |
| Shelf for drill bits and tools | <input type="radio"/> |
| Heater kit for hydraulic oil tank, diesel engine and electric motors | <input type="radio"/> |

DRIFTER RODS

| Rock drill | Rod | Min. hole diameter (mm) |
|---|-----------------------|-------------------------|
| COP 1638HD+ COP 1838HD+ COP 2238HD+ | R32-H35-R38 | 45 |
| | R32-H35-T38 | 45 |
| | R32-H35-T38 Speedrod | 45 |
| | SR35-H35-R38 Speedrod | 45 |
| | SR35-H35-T38 Speedrod | 45 |
| | SR35-H35-T38 | 45 |
| | SR35-R39-T38 | 45 |
| | R32-R39-T38 | 45 |
| | SR35-R39-T38 | 45 |
| | SR35-R39-T38 Speedrod | 45 |

EXTENSION RODS FOR INJECTION DRILLING/RAS

| Rock drill | Rod | Min. hole diameter (mm) |
|---|-----------------|-------------------------|
| COP 1638HD+ COP 1838HD+ COP 2238HD+ | Rnd 32 Speedrod | 51 |
| | Rnd 38 Speedrod | 64 |

SHANK ADAPTERS

| Rock drill | Rod | Min. hole diameter (mm) | Length |
|---|------|-------------------------|--------|
| COP 1638HD+ COP 1838HD+ COP 2238HD+ | R38 | 38 | 435 |
| | T38 | 38 | 435 |
| | R32 | 38 | 525 |
| | T38* | 38 | 525 |

* Intended for RAS and extension drilling with BSH 110

COUPLINGS

| Rock drill | Rod | Diameter (mm) | Length (mm) |
|---|-----|---------------|-------------|
| COP 1638HD+ COP 1838HD+ COP 2238HD+ | R38 | 55 | 170 |
| | T38 | 55 | 190 |

RECOMENDED CABLE SIZE AND LENGTH

| Voltage | Type | Dimension (mm ²) | Diameter (mm) | Length (m) |
|-----------|--------|------------------------------|---------------|------------|
| 380-400 V | Buflex | 3x185+3G35 | 56 | 90 |
| 440-500 V | Buflex | 3x150+3G25 | 52 | 100 |
| 550 V | Buflex | 3x120+3G25 | 46 | 135 |
| 660-690V | Buflex | 3x95+3G16 | 45 | 155 |
| 1 000 V | Buflex | 3x50+3G10 | 33 | 200 |

Recommendations are given for surrounding temperature of 40° C and up to a height of 2 000 m.

NOISE AND VIBRATION

| | |
|--|-----------------------------|
| Operator sound pressure level in canopy, drilling, free field (ISO 11201) | 104±6 dB(A) re 20uPa |
| Operator sound pressure level in cabin, drilling, free field (ISO 11201) | 75± 3 dB(A) re 20uPa |
| Operator sound pressure level working close to machine, drilling, free field | 104±6 dB(A) re 20uPa |
| Sound power level (ISO 3744), drilling, free field | 128 dB(A) re 1pW |
| Vibration levels seated, drilling (ISO 2631-1) | 0.07± 0.07 m/s ² |
| Vibration levels standing, drilling (ISO 2631-1) | 0.07± 0.07 m/s ² |



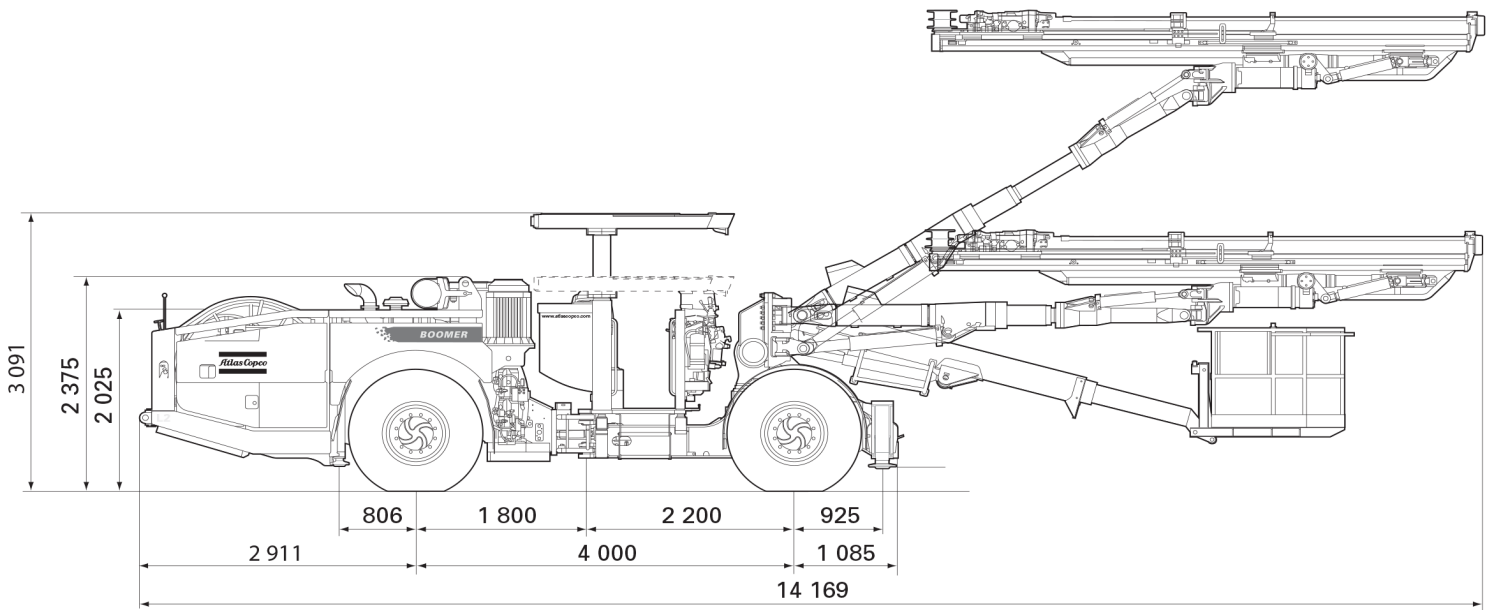
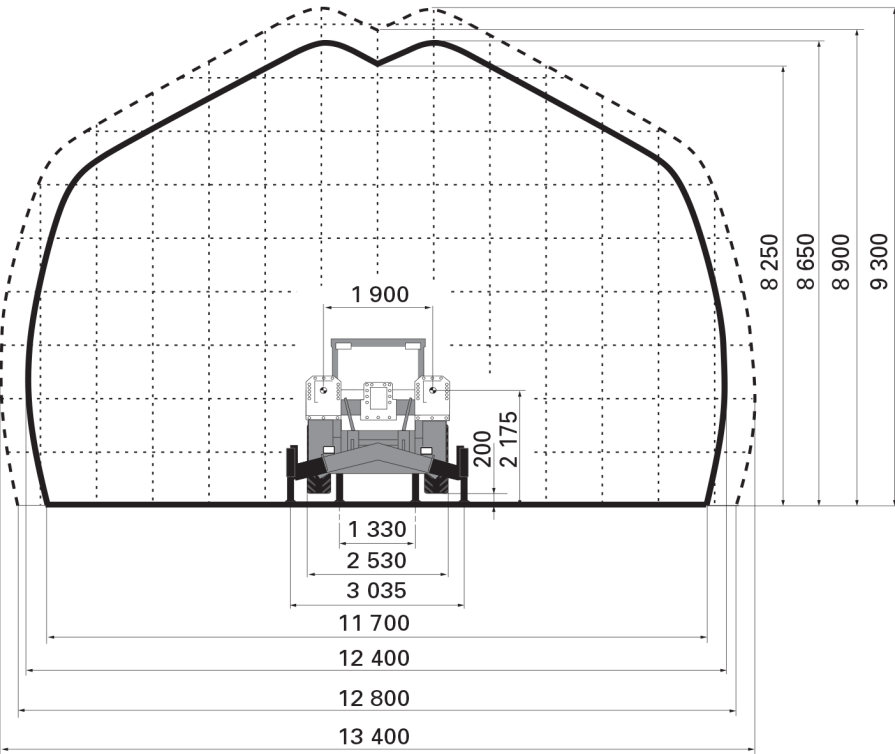


Illustration shows rig with optional equipment mounted.



Coverage area.

DIMENSIONS

| | |
|------------------------------|----------------|
| Width | 2 550 mm |
| Height with cabin | 3 126 mm |
| Height roof up/down | 3 091/2 375 mm |
| Length with BMH 6814 feed(s) | 14 169 mm |
| Ground clearance | 290 mm |
| Turning radius outer/inner | 8 200/4 800 mm |

TRAMMING SPEED

| | |
|--|-----|
| On flat ground (Rolling resistance 0.05) | >14 |
| On incline 1:8 | >6 |

GROSS WEIGHT (DEPENDING ON CONFIGURATION)

| | |
|----------------------|------------------|
| Total, min/max | 27 000/33 000 kg |
| Boom side, min/max | 20 000/24 000 kg |
| Engine side, min/max | 7 000/9 000 kg |