

ECD 45 / ECD 45E DRILL JUMBO

TECHNICAL SPECIFICATION

CRAWLER DRILL



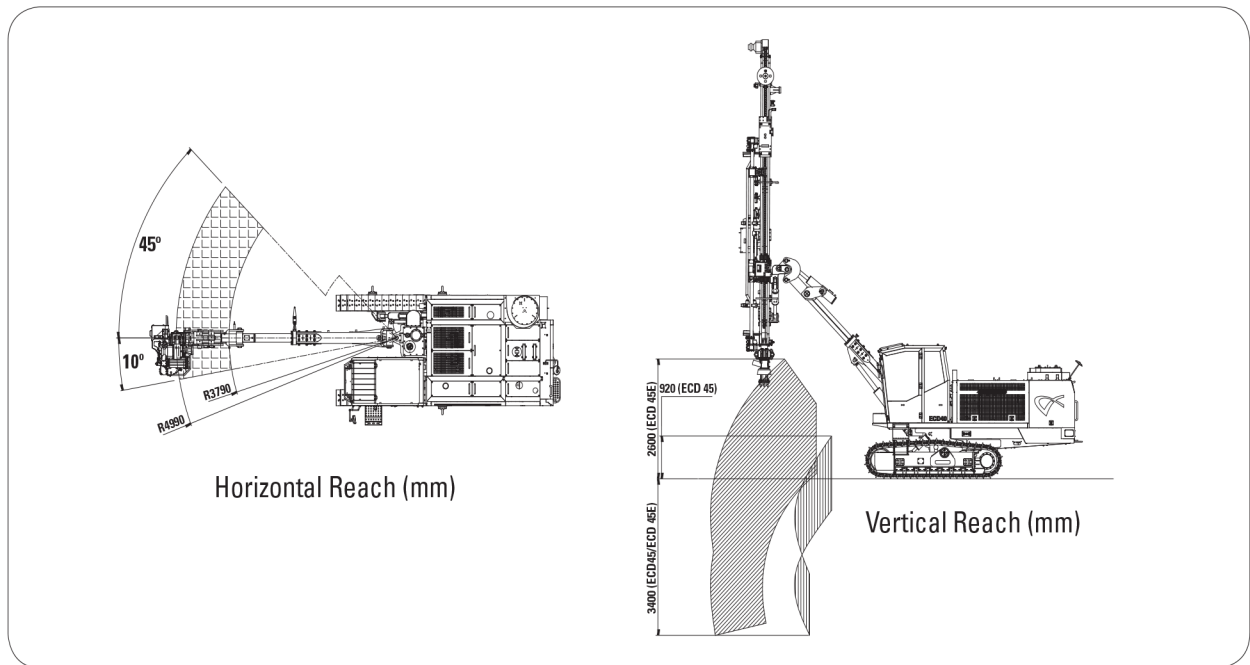


Specification

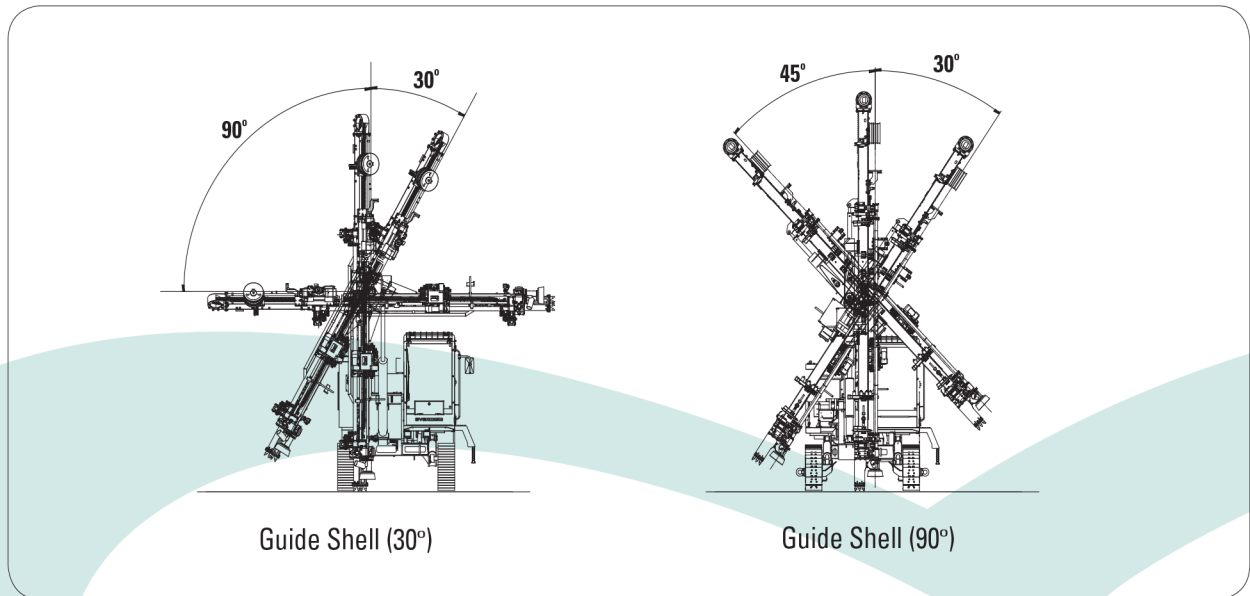
MODEL		ECD 45		ECD 45E	
BIT&ROD	BIT DIAMETER	75mm-115mm (3"-4.5")			
	ROD SIZE	T51, T45(Optional)			
	ROD LENGTH	3,660mm (12')			
DIMENSIONS	WEIGHT	13,300kg (29,317 lbs)		14,000kg (30,860 lbs)	
	OVERALL LENGTH	8,818mm (28.9')		9,220mm (30.2')	
	OVERALL WIDTH	2,350mm (7'7")			
	OVERALL HEIGHT	2,890mm (9'5")			
DRIFTER	MODEL	HC150RP (Made by Montabert)			
	NUMBER OF BLOWS	2,500 bpm			
	NUMBER OF REVOLUTION	0-130 rpm			
	IMPACT POWER	21 kW			
TRAMMING	GROUND CLEARANCE	550mm (2')			
	OSCILLATION ANGLE	22° (F11° / R11°)			
	TRAVELLING	0 - 3.5 km/hr (0-2.2 mph)			
	GRADEABILITY	30°			
DIESEL ENGINE	MODEL	CATERPILLAR C7	*CUMMINS 6CTAA8.3C	*CATERPILLAR C6.6	
	RATED OUTPUT	225hp (168kW) / 2,200rpm	205hp (153kW) / 2,200rpm	212hp (159kW) / 2,200rpm	
	FULL TANK CAPACITY	350ℓ (87gal)	350ℓ (87gal)	350ℓ (87gal)	
	EMISSONS	TIER III	TIER II	TIER III	
COMPRESSOR	FREE AIR DELIVERY	8 m³/min (282cfm)			
	AIR PRESSURE	10.5 kg/cm² (149psi)			
BOOM	TYPE	FIXED BOOM		EXTENSION BOOM	
	LENGTH	2,100mm (6.9')		3,100mm / 4,300mm (10.2' / 14.1')	
	SWING ANGLE	L 10° / R 45°			
	LIFT ANGLE	UP 45° / DOWN 25°			
GUIDE SHELL	OVERALL LENGTH	7,381mm (24.2')			
	SLIDE LENGTH	1,500mm (4.9')			
	SWING ANGLE	L 90°-R30° (Guide shell 30°) / L 45°-R30° (Guide shell 90°)			
	TILT ANGLE	UP 35° / DOWN 145°			
DUST COLLECTOR	FEED LENGTH	6,168mm (20'2")			
	SUCTION CAPACITY	24 m³/min (847cfm)			
	NUMBER OF FILTERS	6			
	PRE-CLEANER	STANDARD			
HYDRAULIC SYSTEM	EXTRACTION METHODS	AUTO AIR PULSE JET			
	VARIABLE DISCHARGE	AXIAL PISTON PUMP X 2			
	FIXED DISCHARGE	GEAR PUMP X 2			
ROD CHANGER	NUMBER OF RODS	5+1			
CABIN	STANDARD ACCESSORIES	AIR CONDITIONER, HEATER			

*The asterisks are optional.

Coverage areas



Feed swing angles



Dimension (mm)

