

MD5075C DRILL JUMBO

TECHNICAL SPECIFICATION



General Data

Hole Diameter Range	76.2 mm-114.3 mm	3.0 in-4.5 in
Hole Depth Maximum	31.2 m	102.5 ft
Engine C9	224 kW (300 hp) at 1,800 rpm	
Compressor	9.9 m ³ /min	350 ft ³ /min
Rock Drill HPR5123	23 kW	31 hp

MD5075C Track Drill Specifications

General Data

Hole diameter range	76.2 mm- 114.3 mm	3.0 in- 4.5 in
Hole depth maximum	31.2 m	102.5 ft
Engine	Cat C9, six (6) cylinder, electronically controlled, water-cooled, turbocharged and air-to-air after-cooled diesel engine rated at 224 kW (300 hp) at 1,800 rpm	
Compressor	9.9 m ³ /min @ 10.2 bar	350 ft ³ /min @ 150 psi
Rock Drill HPR5123	23 kW	31 hp

Cat 315 Undercarriage

Hydraulic motor-driven track assemblies with towing disconnects.

Spring applied disc brakes		
Wide triple grouser pads	380 mm	15 in
Gradeability	35°	
Ground clearance	380 mm	15 in
Ground pressure	0.82 bar	12 psi
Track gauge	204 cm	80 in
Tram maximum speed	4 km/h	2.5 mph
Track oscillation	± 10°	

Power Train

Cat C9, six (6) cylinder, electronically controlled, water-cooled, turbocharged and air-to-air after-cooled diesel engine	224 kW @ 1,800 rpm	300 hp @ 1,800 rpm
Dual element air filter		
Fuel tank	492 L	130 gal

Cooler Package

Four vertical sections; compressor, engine, hydraulic and air after cooler

Sized for ambient capability of 52° C (125° F)

Fan assembly	106 cm	42 in
--------------	--------	-------

Air Compressor

Hydraulic motor driven

Screw-type compressor	9.9 m ³ /min @ 10.2 bar	350 ft ³ /min @150 psi
-----------------------	---------------------------------------	--------------------------------------

Intake check valve and receiver-separator combination tank

Dual filter elements

Dust Collecting System

Dust collector sized to clean holes up to 127 mm (5.0 in) in diameter

Hydraulic motor powered, dry dust collecting system

Filter area	28 m ²	304 ft ²
-------------	-------------------	---------------------

Abrasive resistant suction hose	127 mm	5 in
---------------------------------	--------	------

Cab

Updated larger monitor display:

- Technology advances
- Hammer adjustment from cab
- Air pressure control from cab

Drill depth monitoring

Electro-hydraulic controls:

- Joysticks
- Bright displays
- Common to MD5150C

Total operator control of:

- Hammer power
- Hole flushing

ROPS/FOPS certified

Digital engine and drill readout system

Joysticks in both armrests

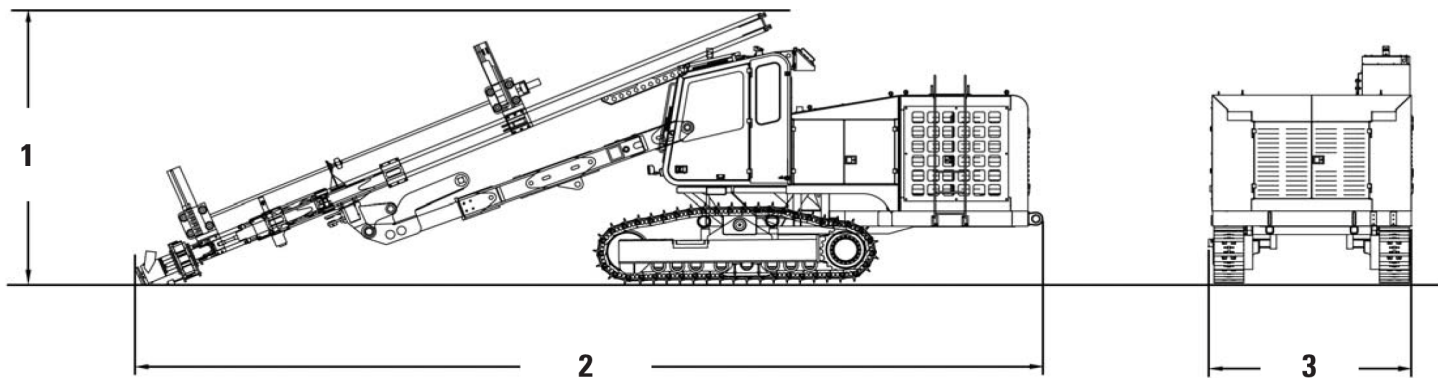
Total glass	3.07 m ²	33 ft ²
-------------	---------------------	--------------------

Six way adjustable seat; forward/back, up/down and reclining

MD5075C Track Drill Specifications

Dimensions

All dimensions are approximate.



1 Shipping Height	3.4 m	11.2 ft
2 Shipping Length	12.3 m	40.4 ft
3 Shipping Width	2.6 m	8.6 ft
Shipping Weight	19 504 kg	43,000 lb