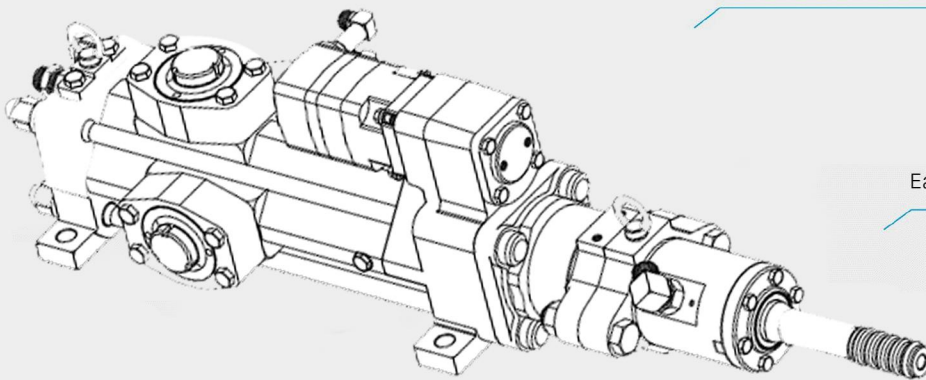


STRAIGHT FORWARD RELIABILITY

DESIGNED FOR STRAIGHT FORWARD AND RELIABLE OPERATION.

Four main bodies with few numbers of moving parts



Easy access to bolts and fittings

DRIFTER YH135

Designed for safe and reliable operation

+ MAIN BENEFITS

Durability: Robust with a straight forward design; delivering the consistent performance associated with **Ingersoll Rand** rock drills

Easy to operate: Less complex with fewer parts and settings

Intuitive service: Intuitive to maintain and overhaul, requiring no custom designed tools



Installation instructions and retrofit support are available upon request.



Repair kit consisting of parts to be replaced during overhaul is available with quick delivery.



All spare parts and wear parts are available, with critical parts always in stock.

DIMENSIONS AND WEIGHT

| | |
|------------------------------|---------------------|
| Weight | 260 kg (573 lb) |
| Length without shank adapter | 1225 mm (48 inch) |
| Height | 335 mm (13.19 inch) |
| Width | 360 mm (14.17 inch) |

IMPACT RATINGS

| | |
|--------------------|--------------------|
| Impact power, max | 21 kW (28.16 hp) |
| Hydraulic Pressure | 140 bar (2030 psi) |
| Impact frequency | 42 Hz (2520 bpm) |
| Drill pressure | |

DRILLING PARAMETERS

| | |
|------------------------|----------------|
| Rod size | T45, T51 |
| Hole range | 89 - 127 mm |
| Optimum hole dimension | 76 mm (3 inch) |

FLUSHING FLOW AND PRESSURE

Lubricating air consumption | 6 l/s at 3 bar (12.7 cfm at 44 psi)

ROTATION RATINGS

| | | |
|-----------------------|----------------------|---------------------|
| | (07) 160 cc | (08) 200 cc |
| Rotation torque, max* | 1177 Nm (868 lb-ft) | |
| Rotation speed* | 0 - 120 rpm | |
| Rotation pressure | 140 bar (2,030 psi) | 140 bar (2,030 psi) |
| Oil consumption, max | 140 l/min (43.6 cfm) | |

* at drill string

ACCUMULATOR CHARGE PRESSURE

| | |
|--------|------------------|
| Intake | 60 bar (870 psi) |
| Return | 5 bar |

SHANK ADAPTER

| | |
|-----|--|
| T45 | |
| T51 | |

OUTLINE DIMENSIONS

