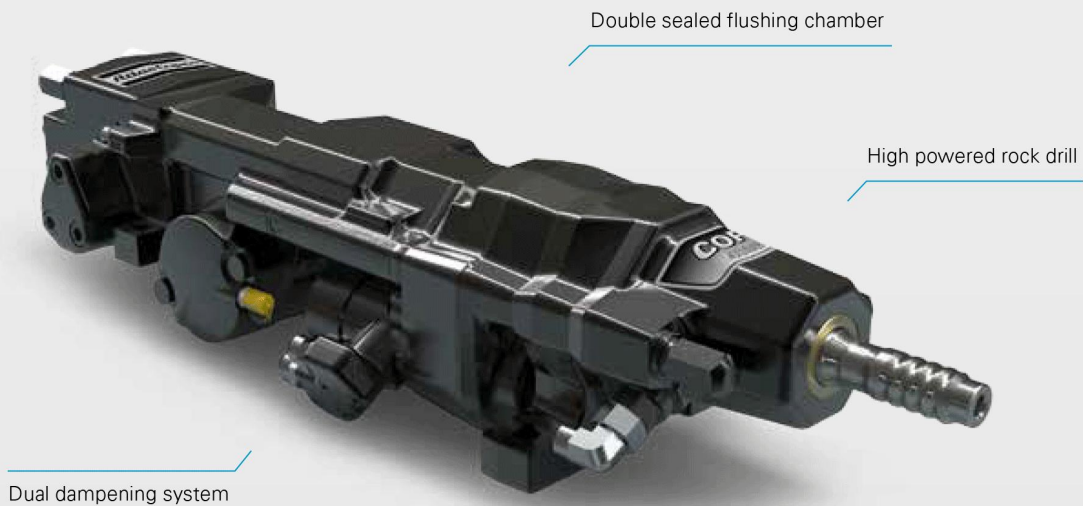


SUPERIOR POWER

DEVELOPED FOR HIGH SPEED PENETRATION AND EXCELLENT
DRILL STEEL LIFE.



DRIFTER COP4048

MAIN BENEFITS

Decreases risk of water intrusion into the rock drill

Reliability with optimized rock contact, while simultaneously protecting the rock drill from harmful energy recoils

Superior rock drill for penetration rates and drilling speed

Designed for safe and reliable operation



The COP 4038 was designed for ease of service; it was developed to have a minimal number of light weight parts.

Service tools are available to facilitate precise and correct machine maintenance ensuring equipment safety and performance.

Major and minor preventative maintenance kits are available for maintenance ease, and to ensure optimized rock drill service life.

TECHNICAL SPECIFICATIONS

DIMENSIONS AND WEIGHT

Weight	165 kg (364 lb)
Length without shank adapter	970 mm (3 ft 2 inch)
Width including connectors	307 mm (1 ft)
Height	240 mm (9.5 inch)
Height over drill center	84 mm (3.3 inch)

IMPACT RATINGS

Impact power, max	40 kW (53 hp)
Input power to rock drill, max	80 kW (107 hp)
Hydraulic pressure, max	250 bar (3625 psi)
Flow rate	200 l/min (7 cfm)
Impact frequency	140 Hz

SERVICE KITS

Seal kit	3115 5456 60
Minor Preventive Maintenance kit	3115 5426 61
Major Preventive Maintenance kit	3115 5426 64

ROTATION

	05 (100 cc)	06 (125 cc)	07 (160 cc)
Rotation range	0 - 450 rpm	0 - 360 rpm	0 - 280 rpm
Torque, max	400 Nm (295 lbf-ft)	500 Nm (369 lbf-ft)	650 Nm (480 lbf-ft)
Working pressure, max	140 bar (2030 psi)	140 bar (2030 psi)	140 bar (2030 psi)
Oil consumption, max	100 l/min (3.5 cfm)	100 l/min (3.5 cfm)	100 l/min (3.5 cfm)

FLUSHING FLOW AND PRESSURE

Flushing water pressure, max	20 - 40 bar (290 - 580 psi)
Lubricating air consumption at 2 bar (29 psi)	5 l/s (10.6 cfm)
Flushing water consumption*	130 - 200 l (4.5 - 7 cfm)

* Flushing water consumption depends strongly upon hole diameter, bit type, drill rod size and rock hardness. The figures above are typical values for spherical button bits in granite 250 Mpa (36,250 psi)

SHANK ADAPTER

TC42	7490 5166 08
TC42E	7490 5166 09