

SANDVIK RD1635CF

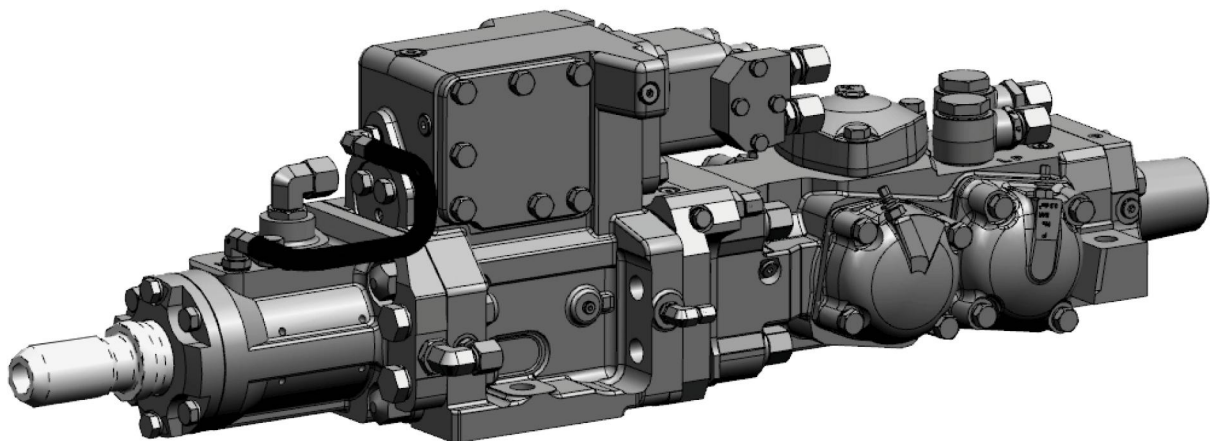
TECHNICAL SPECIFICATION

Sandvik RD1635CF is a high-frequency hydraulic rock drill designed for surface long-hole drilling of \varnothing 89...152 mm (3½"...6") holes.

Sandvik RD1635CF is a heavy hydraulic percussive rock drill with independent rotation and separate flushing, which ensures high reliability. It is equipped with a stabilizer to control contact between the drill bit and rock, ensuring optimal drilling performance and long rock tool service life. Different rock drill versions are available through modular design: a flushing device for different rock tool combinations, power extractor and alternative rotation motor displacements.

MAIN DIMENSIONS

Hole diameter	89 - 152 mm
Power class	35 kW
Percussion rate	45 Hz
Operating pressure Percussion Rotation (max.)	100 - 220 bar 200 bar
Rotation motor type	OMT 400, OMT 500
Drill steels	GT60, ST68
Shanks Ø65 mm Ø80 mm	GT60 - 760 GT60 / ST68 - 760
Weight	470 - 500 kg



ROTATION MECHANISM

Motor	Orbit type
Motor type 1	OMT 400
Torque (at 175 bar)	2 005 Nm
Rotation speed	0 - 100 rpm
Flow (at max. speed)	85 l/min

ROTATION MECHANISM

Motor	Orbit type
Motor type 2	OMT 500
Torque (at 175 bar)	2 330 Nm
Rotation speed	0 - 100 rpm
Flow (at max. speed)	113 l/min

FLUSHING PRESSURE

Max. pressure (air / water)	20 bar
-----------------------------	--------

ACTUATOR FOR SHANK CONTROL (STABILIZER)

Operating principle	Hydraulic actuator for position control of shank adapter in rock drill, control force adjustable through pressure
Operating pressure	60 - 110 bar, adjustable

ACCUMULATORS

Accumulator gas	Nitrogen N2
High pressure (HP)	50 bar
Low pressure (LP)	4 bar
Stabilizer	40 bar
Filling valve	Vg8 DIN7756

SHANK LUBRICATION

Air flow (at 6 bar)	500 l/min
Pressure	4 bar
Oil flow (circulating)	2 l/min

OIL RECOMMENDATION

Oil operating temperature	+40°C up to +60°C
Oil recommendation	See Sandvik drill rigs lubricant recommendation for detailed information

OPTION

Special tools for RD1635CF Complete set	Specification TS2-182
Special tools for RD1635CF Field tool set	Specification TS2-183

