

SANDVIK RD106

TECHNICAL SPECIFICATION

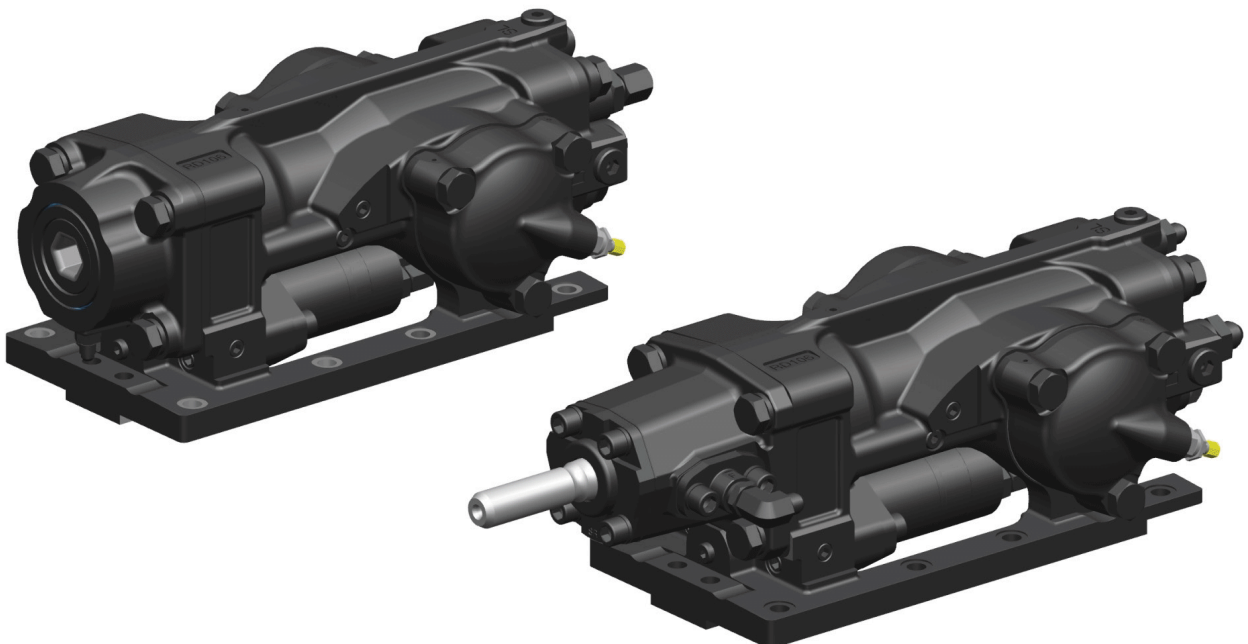
Sandvik RD106 hydraulic rock drill is designed for a maximum recommended hole diameter of 45 mm. Typical applications are foundation drilling, road cutting, trenching, bolting, line drilling in dimensional stone quarries and other special drilling applications.

Sandvik RD106 is a compact hydraulic percussive top hammer rock drill with a low profile height. It drills with air or water flushing.

Biodegradable oils can be used both in hydraulic and shank lubrication to reduce the environmental risk.

MAIN DIMENSIONS

Hole diameter drilling	22 - 45 mm
Power class	6.5 kW
Percussion rate	65 - 85 Hz
Operating pressure	
Percussion	100 - 180 bar
Rotation (max. continuous)	100 bar (OMM20, 32) 70 bar (OMM50)
Rotation (max. intermittent)	140 bar
Rotation motor type	OMM20, OMM32, OMM50
Drill steels	H19, H22, H25 integral rods, H25 drifter rods
Shanks	Hex 19 x 108 mm Hex 22 x 108 mm Hex 25 x 108 mm Male R23, R25, R28
Weight	52 kg (with hexagonal chuck) 54 kg (with flushing device)



ROTATION MECHANISM

Motor	Orbit type
Motor type 1	OMM 20
Torque (at 140 bar)	65 Nm
Rotation speed	0 - 400 rpm
Flow (at max. speed)	15 l/min

ROTATION MECHANISM

Motor	Orbit type
Motor type 1	OMM 32
Torque (at 140 bar)	100 Nm
Rotation speed	0 - 350 rpm
Flow (at max. speed)	20 l/min

ROTATION MECHANISM

Motor	Orbit type
Motor type 2	OMM 50
Torque (at 140 bar)	160 Nm
Rotation speed	0 - 225 rpm
Flow (at max. speed)	20 l/min

FLUSHING PRESSURE

Max. pressure (air / water)	5 bar (with hexagonal chuck) 15 bar (with flushing device)
-----------------------------	---

ACCUMULATORS

Accumulator gas	Nitrogen N2
High pressure (HP)	50 bar
Low pressure (LP)	4 bar
Filling valve	Vg8 DIN7756

SHANK LUBRICATION

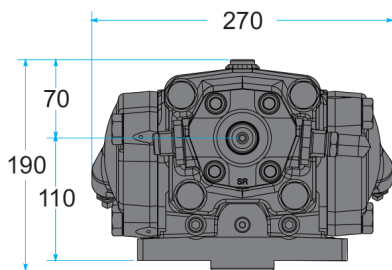
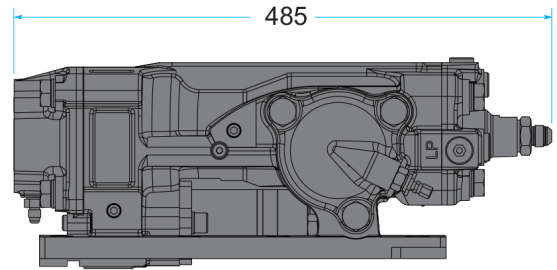
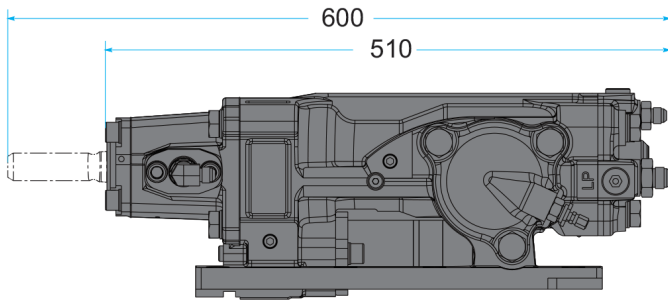
Air flow	250 Nl/min
Pressure	3 - 5 bar
Oil consumption	50 - 200 g/h

OIL RECOMMENDATION

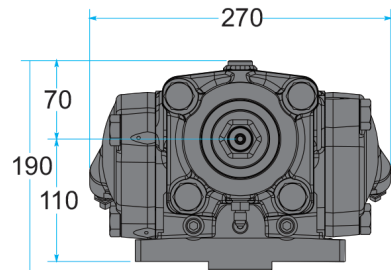
Oil operating temperature	+40°C up to +60°C
Oil recommendation	See Sandvik drill rigs lubricant recommendation for detailed information

OPTION

Special tools for RD106 Complete set	ID BG00768711
Special tools for RD106 Field tools set	ID BG00768713
Water flushing with hexagonal chuck	Flushing tube diameter 5 mm Water consumption 2 - 5 bar 5 - 10 l/min



Sandvik RD106 with flushing device



Sandvik RD106 with hexagonal chuck