

# SANDVIK HLX5

## TECHNICAL SPECIFICATION

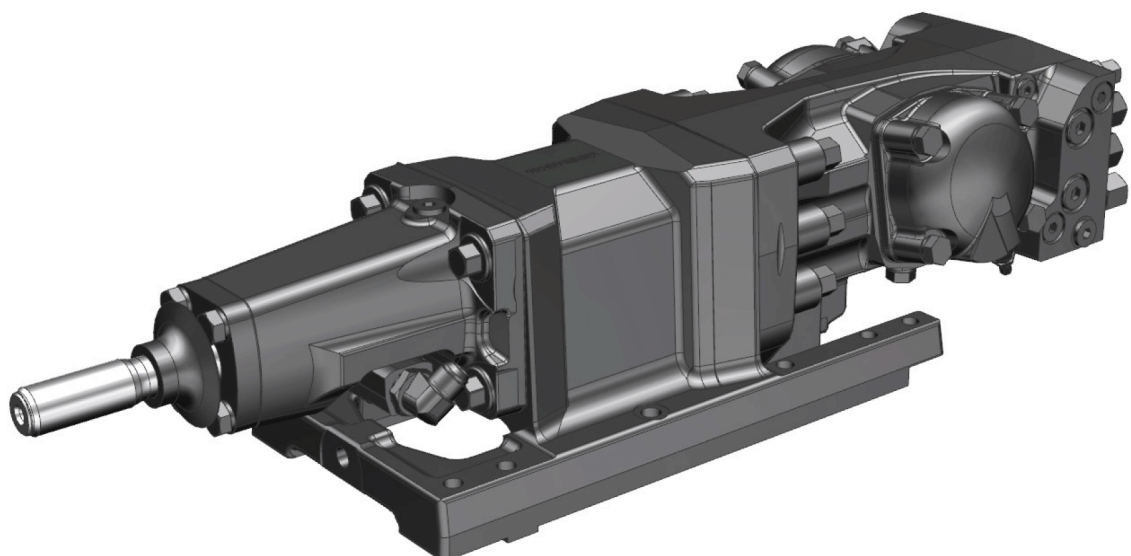
Sandvik HLX5 hydraulic rock drill is designed for face, bolt and long hole drilling. Sandvik HLX 5 is standard rock drill for example in Sandvik hydraulic controlled mining and tunneling jumbos.

Sandvik HLX5 is a compact, robust and universal hydraulic percussive rock drill. It is known its hydraulic efficiency and high penetration rate. Sandvik HLX5 has excellent serviceability through modular construction and visual wear indicators. Robustness is achieved by only few pressurized seams between the functional modules.

Shank lubrication drain is led to feed surfaces to reduce lubrication fume enabling more comfortable working environment

### MAIN DIMENSIONS

Hole diameter drilling	43 - 64 mm
Hole diameter reaming	76 - 127 mm
Power class	20 kW
Percussion rate	67 Hz
Operating pressure	
Percussion	120 - 220 bar
Rotation (max.)	175 bar
Rotation motor type	OMS 80, OMS 125 or OMS 160
Drill steels	R32, R39 or Hex 35 mm drifter rods, MF-rods highly recommended
Shanks	45 mm / T38 / R32 / T35 / R38 / T45
Weight	210 kg



**ROTATION MECHANISM**

Motor	Orbit type
Motor type 1	OMS 80
Torque (at 175 bar)	400 Nm
Rotation speed	0 - 250 rpm
Flow (at max speed)	46 l/min

**ROTATION MECHANISM**

Motor	Orbit type
Motor type 2	OMS 125
Torque (at 175 bar)	625 Nm
Rotation speed	0 - 250 rpm
Flow (at max speed)	72 l/min

**ROTATION MECHANISM**

Motor	Orbit type
Motor type 3	OMS 160
Torque (at 175 bar)	780 Nm
Rotation speed	0 - 200 rpm
Flow (at max speed)	74 l/min

**FLUSHING PRESSURE**

Max. pressure (air / water)	20 bar
-----------------------------	--------

**ACCUMULATORS**

Accumulator gas	Nitrogen N2
High pressure (HP)	50 bar
Low pressure (LP)	4 bar
Filling valve	Vg8 DIN7756

**SHANK LUBRICATION**

Air flow	250 - 350 l/min
Pressure	4 - 7 bar
Oil consumption	180 - 250 g/h

**OIL RECOMMENDATION**

Oil operating temperature	+40°C up to +60°C
Oil recommendation	See Sandvik drill rigs lubricant recommendation for detailed information

**OPTION**

Special tools for HLX5 Complete set	ID 550 065 07
Special tools for HLX5 field tools set	ID 550 479 73
Power extractor	See separate specification

