

SANDVIK HLX1

TECHNICAL SPECIFICATION

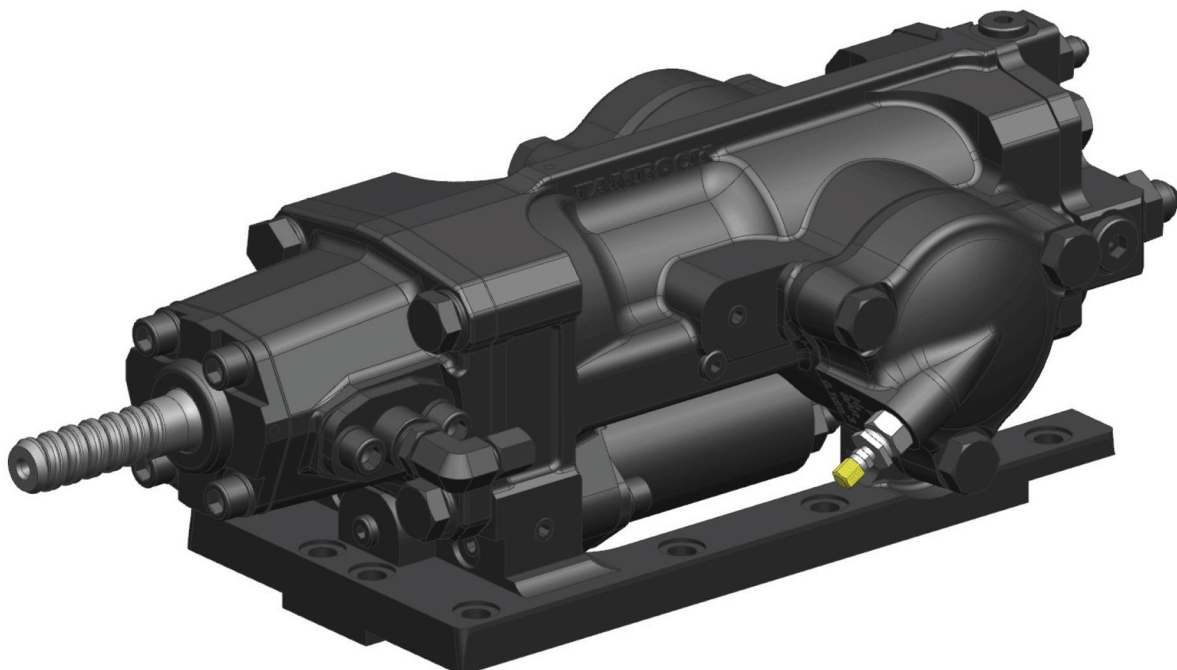
Sandvik HLX1 hydraulic rock drill is designed for small diameter holes. Typical application is drilling / bolting in confined environment with Sandvik DS211L-M low-profile rigs.

Sandvik HLX1 is a compact hydraulic percussive rock drill with low profile height. It drills with either air or water flushing.

Biodegradable oils can be used both in hydraulic and in shank lubrication to reduce the environmental risk.

MAIN DIMENSIONS

Hole diameter drilling	22 - 45 mm
Power class	6.5 kW
Percussion rate	70 - 88 Hz
Operating pressure	
Percussion	100 - 180 bar
Rotation (max. continuous)	100 bar (OMM32) 70 bar (OMM50)
Rotation (max. intermittent)	140 bar
Rotation motor type	OMM 32, OMM 50
Drill steels	H25 drifter rods
Shanks	Male R23, R25, R28
Weight	53 kg



ROTATION MECHANISM

Motor	Orbit type
Motor type 1	OMM 32
Torque (at 140 bar)	100 Nm
Rotation speed	0 - 350 rpm
Flow (at max. speed)	20 l/min

ROTATION MECHANISM

Motor	Orbit type
Motor type 2	OMM 50
Torque (at 140 bar)	160 Nm
Rotation speed	0 - 225 rpm
Flow (at max. speed)	20 l/min

FLUSHING PRESSURE

Max. pressure (air / water)	15 bar
-----------------------------	--------

ACCUMULATORS

Accumulator gas	Nitrogen N2
High pressure (HP)	50 bar
Low pressure (LP)	4 bar
Filling valve	Vg8 DIN7756

SHANK LUBRICATION

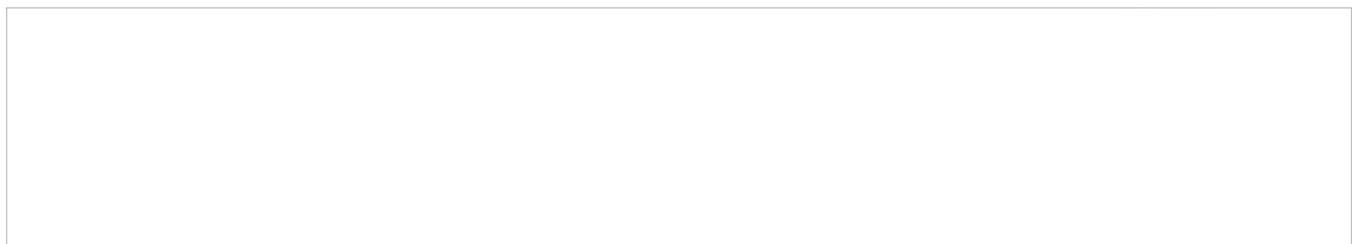
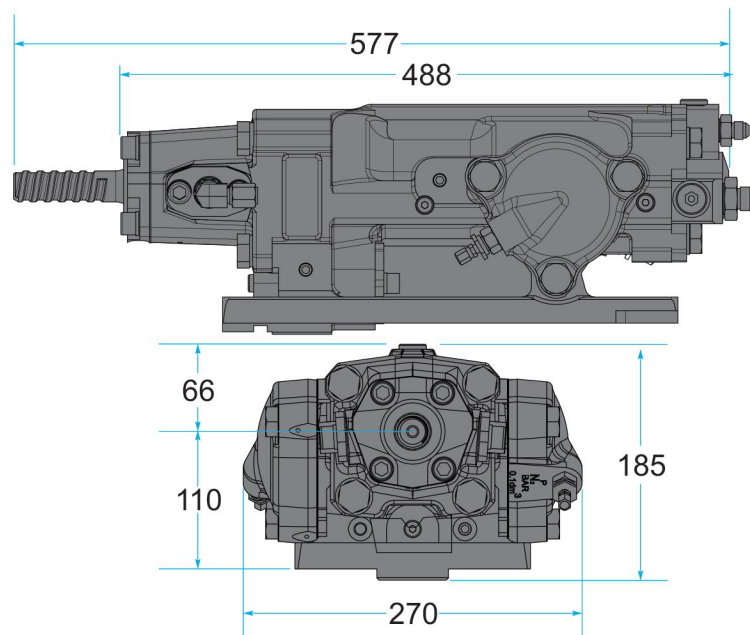
Air flow	250 NI/min
Pressure	3 - 5 bar
Oil consumption	50 - 100 g/h

OIL RECOMMENDATION

Oil operating temperature	+40°C up to +60°C
Oil recommendation	See Sandvik drill rigs lubricant recommendation for detailed information

OPTION

Special tools for HLX1 Complete set	ID 550 383 44
-------------------------------------	---------------



we do not accept any responsibility for the use of the information provided without prior written permission. Please contact Sandvik for more information.