

# SANDVIK HL820T

## TECHNICAL SPECIFICATION

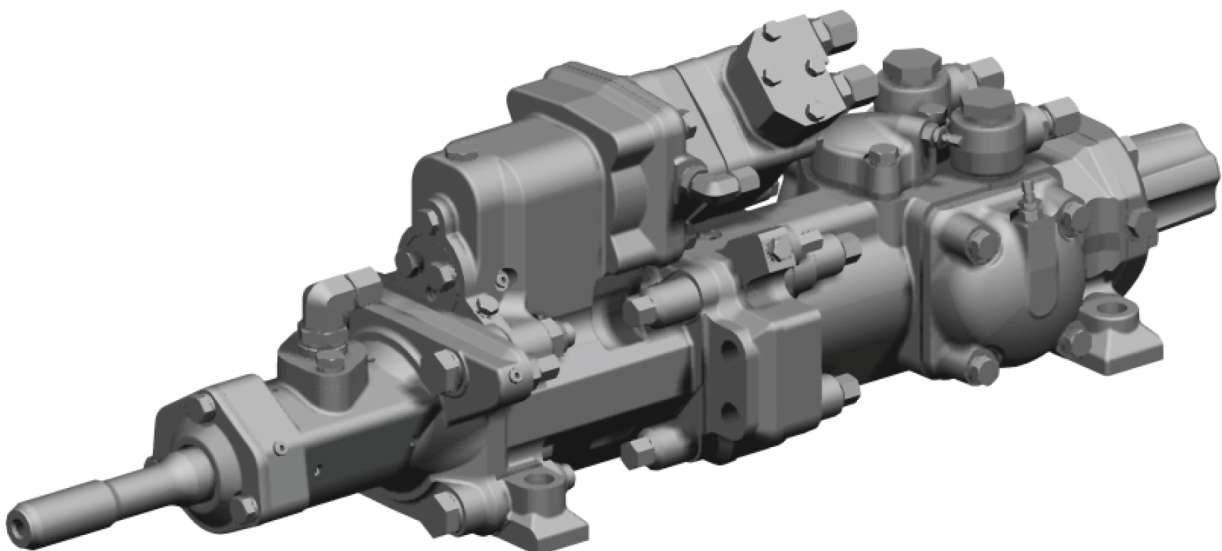
Sandvik HL820T hydraulic rock drill is designed for drilling 64 - 127 mm diameter holes in Sandvik hydraulically controlled surface long hole drill rigs.

Sandvik HL820T is a heavy hydraulic percussive rock drill with independent rotation and separate flushing. High drilling capacity and reliability are enabled by functional modules. Sandvik HL820T is equipped with a hydraulic stabilizer to control contact between drill bit and rock. This ensures optimal drilling performance with high drill steel life time. Three rotation motor options are available for torque/speed adjustment.

Optional Power Extractor guarantees trouble-free drilling in extreme conditions. The design is covered by several patents.

### KEY FEATURES

Hole diameter	64 - 127 mm
Power class	21 kW
Percussion rate	53 Hz
Operating pressure	200 bar 80 – 200 bar (percussion) 200 bar (rotation max.)
Rotation motor type	OMT 200, OMT 250, OMT 315
Drill steels	38 mm / 45 mm / 51 mm
Shank adapter	Male type, side flushing
38 mm rods (Not optimal)	T38 / 600
45 mm rods	T45 / 600
51 mm rods (Optimal)	T51 / 600



## MAIN DIMENSIONS

Overall length	1 342 mm
Length	1 140 mm
Profile height	291 mm
Width	334 mm
Weight	265 - 310 kg

## ROTATION MECHANISM

Motor	Orbit type (3 options)		
Motor type	OMT200	OMT250	OMT315
Torque (200 bar)	1 095 Nm	1 335 Nm	1 765 Nm
Rotation speed	0 - 180 rpm	0 - 180 rpm	0 - 180 rpm
Flow (at max.speed)	79 l/min	99 l/min	128 l/min

## FLUSHING

Max. pressure (air / water)	20 bar
-----------------------------	--------

## ACCUMULATORS

Accumulator gas	Nitrogen N2
High pressure (HP)	50 bar
Low pressure (LP)	4 bar
Stabilizer	30 bar
Filling valve	Vg8 DIN 7756

## SHANK LUBRICATION

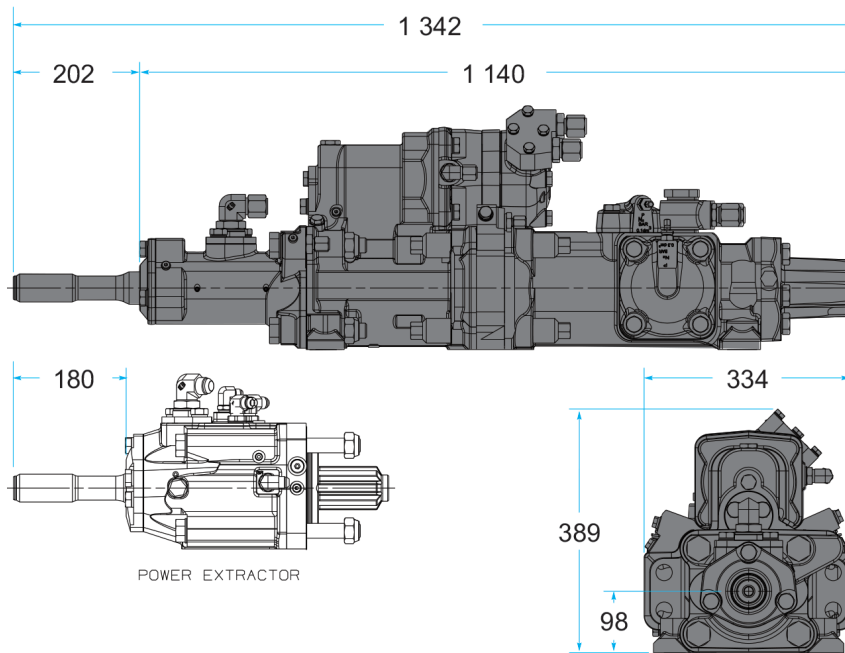
Air flow (pressurized)	200 - 300 l/min
Air pressure (at rock drill)	4 - 7 bar
Oil consumption	250 - 550 g/h

## OIL RECOMMENDATIONS

Oil operating temperature	+40°C - +60°C
Oil recommendation	See Sandvik drill rigs lubricant recommendation for detailed information

## OPTIONS

Power extractor	See separate specification
Tools for HL820T Complete set	ID 551 506 23
Tools for HL820T Field service set	ID 550 055 29



For more information, please refer to the information on the website.

Without prejudice to the above, please contact a Sandvik representative for more information.