

SANDVIK HL1560T

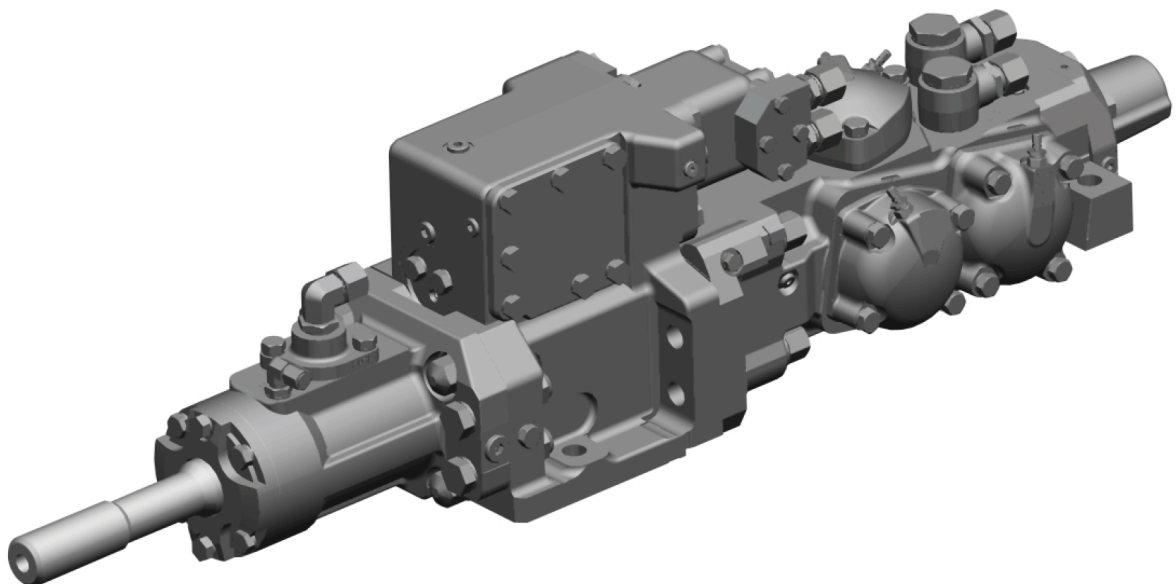
TECHNICAL SPECIFICATION

Sandvik HL1560T hydraulic rock drill is designed for surface long-hole drilling of Ø89...152 mm (3½"...6") holes and it is standard on Pantera surface top hammer drills.

Sandvik HL1560T is a heavy hydraulic percussive rock drill with independent rotation and separate flushing, which ensures high reliability. It is equipped with hydraulic actuator ("stabilizer") to control contact between drill bit and rock. This ensures optimal drilling performance and high rock tool service life. Different rock drill versions are available through optional module offering: flushing device for tube drilling, T51 rods and GT60 rods; Power Extractor for tubes and rods and alternative rotation motor displacements. The design is covered by several patents.

TECHNICAL DATA

Hole diameter	89 - 127 mm (with rods) 89 - 152 mm (with tube rods)
Power class	33 kW
Percussion rate	30 - 40 Hz
Operating pressure	
Percussion	90 - 200 bar
Rotation (max.)	200 bar
Rotation motor type	OMT 400, OMT 500
Drill steels	T51, ST58, GT60, ST68
Shanks	
Ø65 mm rods	T51 / ST58 / GT60 - 760
Ø80 mm rods	GT60 - 760
Ø80 mm rods	ST68 - 630
Ø80 mm rods	ST58 / ST68 - 635
Weight	470 - 490 kg



ROTATION MECHANISM

Motor	Orbit type
Motor type 1	OMT 400
Torque (at 180 bar)	2 005 Nm
Rotation speed	0 - 100 rpm
Flow (at max speed)	85 l/min

ROTATION MECHANISM

Motor	Orbit type
Motor type 2	OMT 500
Torque (at 170 bar)	2 330 Nm
Rotation speed	0 - 100 rpm
Flow (at max speed)	113 l/min

FLUSHING PRESSURE

Max. pressure (air / water)	20 bar
-----------------------------	--------

ACTUATOR FOR SHANK CONTROL (STABILIZER)

Operating principle	Hydraulic actuator for position control of shank adapter in rock drill, control force adjustable through pressure
Operating pressure	60 - 110 bar, adjustable

ACCUMULATORS

Accumulator gas	Nitrogen N2
High pressure (HP)	50 bar
Low pressure (LP)	4 bar
Stabilizer	40 bar
Filling valve	Vg8 DIN7756

SHANK LUBRICATION

Air flow (at 6 bar)	300 - 400 l/min
Pressure	4 - 7 bar
Oil consumption	600 - 1 200 g/h

OIL RECOMMENDATION

Oil operating temperature	+40°C up to +60°C
Oil recommendation	See Sandvik drill rigs lubricant recommendation for detailed information

OPTION

Special tools for HL1560T Complete set	ID 550 387 95
Special tools for HL1560T Field tool set	ID 550 420 18
Power extractor	See separate specification

